



CATALOG NUMBER: MHPS150-0295MED	
JOB NAME:	
CUSTOMER NAME:	
NOTES:	TYPE:
	DATE:

FEATURES AND SPECIFICATIONS

HID KITS
PULSE START BALLAST KIT WITH LAMP
FOR 150w PULSE START

Wattages:
Pulse Start: 150w

Construction:
Attractive Display Carton
Easy Access Packaging
No Staples / No Tape

Mounting
Factory Drilled for Mounting

Specifications:
Mounting Holes: .218" Dia. (0.55 cm)
Weight: 7.3 lbs. (3.3 kg)

Warranty:
Atlas Lighting Products provides a 3 year limited warranty for this product.
A full warranty can be found at www.alpinc.com.



INPUT VOLTS		120	208	240	277
CIRCUIT TYPE	HX-HPF				
POWER FACTOR (min)	90%				
REGULATION					
Line Volts	±10%				
Lamp Watts	±10%				
LINE CURRENT (Amps)					
Operating.....		1.25	.75	.65	.55
UL TEMPERATURE RATINGS					
Insulation Class	H(180°C)				
Coil Temperature Code	1029	A	A	A	A
MIN. AMBIENT STARTING TEMP.	-20°F or -30°C				
NOM. OPEN CIRCUIT VOLTAGE	260				
INPUT WATTS	186				
RECOMMENDED FUSE (Amps).....		4	2	2	2
WEIGHT (lbs.)	7.3				
60 Hz TEST PROCEDURES					
High Potential Test (Volts)					
1 minute	2000				
2 seconds	2500				
Open Circuit Voltage Test (Volts)	230-290				

ORDERING INFORMATION

Catalog #	Description	Volts
MHPS150-0295MED	Pulse Start Ballast Kit	Quad

LAMP INFORMATION

MS150/U/M

Watts	150
Finish	Clear
Bulb	ED17
Base	E26
ANSI Code	M102/E

BALLAST TYPE

HX-HPF

Actual performance can vary depending on operating conditions. Specifications are subject to change without notice.

ATLAS LIGHTING PRODUCTS, INC.

PO BOX 2348 | BURLINGTON, NC 27216
800-849-8485 | FAX: 336-227-0110 | www.atlaslightingproducts.com

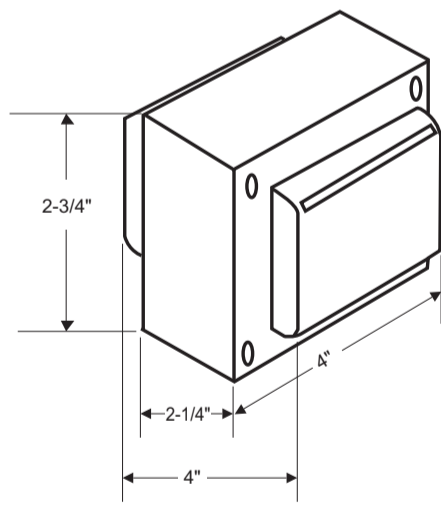


HID KITS
PULSE START BALLAST KIT
WITH LAMP
FOR 150w PULSE START

DIMENSIONS

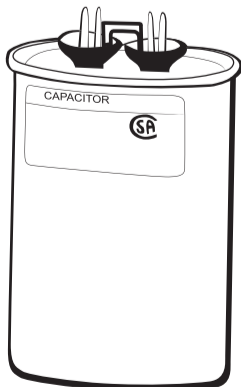
Specifications:

Mounting Holes:
0.218" Dia. (0.55 cm)
Weight:
7.3 lbs. / 3.3 kg.

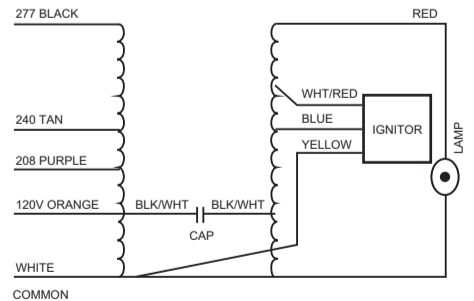


CAPACITOR INFORMATION

Capacitance: 150 Watt
Dia/Oval Dim: 2.60"
Height: 3.50"
Temp Rating: 90°
MicroFarad (MFD): 16, 280V



WIRING DIAGRAM



Actual performance can vary depending on operating conditions. Specifications are subject to change without notice.

ATLAS LIGHTING PRODUCTS, INC.

PO BOX 2348 | BURLINGTON, NC 27216
800-849-8485 | FAX: 336-227-0110 | www.atlaslightingproducts.com