



CATALOG NUMBER:	
JOB NAME:	
CUSTOMER NAME:	
NOTES:	TYPE:
	DATE:

**FEATURES AND SPECIFICATIONS**

**INDUSTRIAL FLUORESCENT LIGHTING**  
**ACCESSORIES**  
**36" CHAIN MOUNTING SET**

**Construction:**

**Mounting:**

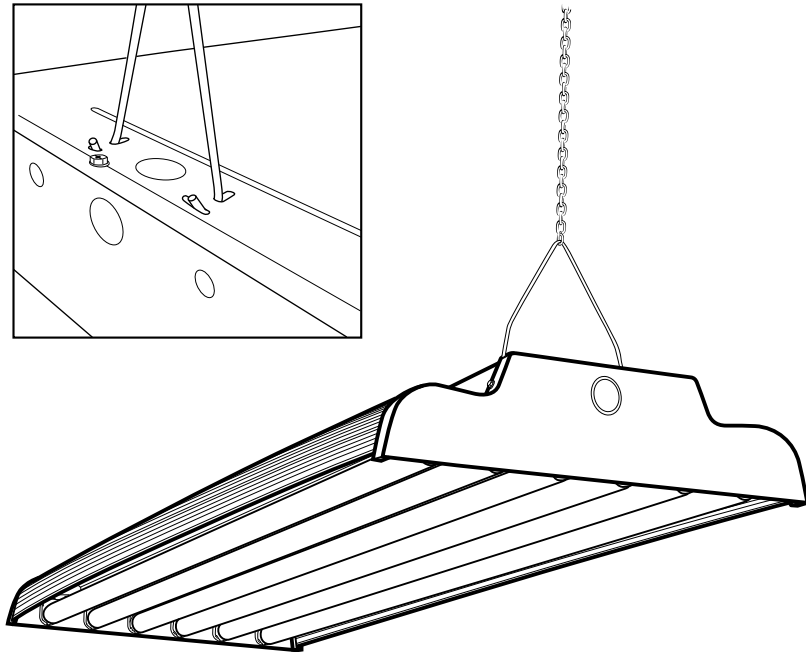
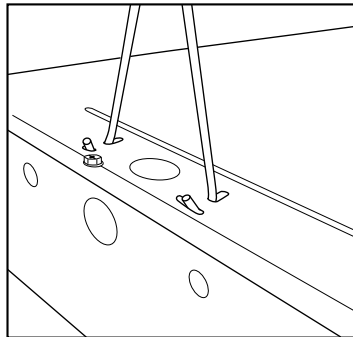
"Y" hanger  
 Pre-drilled holes in fixture housing

**Specifications:**

Length: 36" (10.9728 m)



**DIMENSIONS**



**ORDERING INFORMATION**

Catalog #	Description	Std. Pkg.
CH36	36" Chain & Hanger Set	1
CH36-O	36" Chain Set Only	1

Actual performance can vary depending on operating conditions. Specifications are subject to change without notice.

**ATLAS LIGHTING PRODUCTS, INC.**

PO BOX 2348 | BURLINGTON, NC 27216  
 800-849-8485 | FAX: 336-227-0110 | [www.atlaslightingproducts.com](http://www.atlaslightingproducts.com)