

NEER Aluminum Threaded Conduit Body, Cover and Gasket Assemblies

For Rigid Conduit and IMC

Commercial Products

COMMERCIAL PRODUCTS: CONDUIT BODIES – EMT

LB, T, LL, LR, C: Threaded

Applications

- To provide access to conductors for pulling, splicing, maintenance and future changes/upgrades.
- Allows connection of straight conduit runs, branch conduit runs and 90° bends.

Features

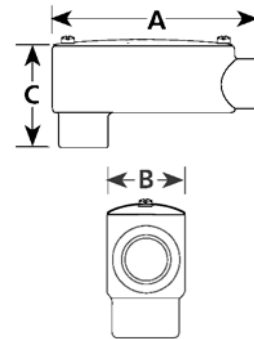
- Threaded hubs.
- Packaged complete under one catalog number.
- Ready to use.

Standard Material/Finish

- Conduit body: diecast, copperfree (4/10 or 1% max.) aluminum/epoxy powder coat
- Cover: stamped aluminum, natural finish
- Gasket: neoprene

Certifications and Compliances

- UL Standard: 514A
- UL Listed: E53330
- CSA Standard: C22.2 No. 18.3
- CSA Certified: 208044
- NEMA: FB-1


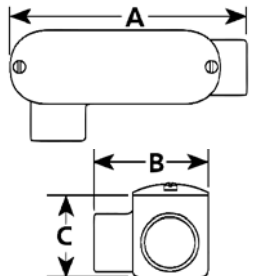

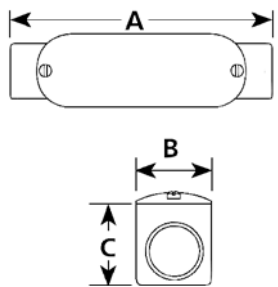

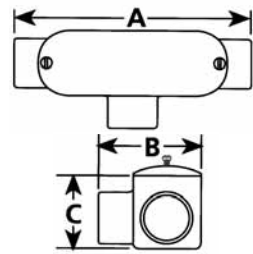


	Trade Size (Inches)	Catalog Number Threaded	Dimensions in Inches/ Millimeters			Volume in ³ /dm ³	Max. No. Conductors
			A	B	C		
LB	1/2	LB-50DCG	4.40/ 111.8	1.31/ 33.3	2.44/ 62.0	4.30/ 0.1	N/A †
	3/4	LB-75DCG	5.17/ 131.3	1.53/ 38.9	2.80/ 71.1	7.30/ 0.1	3 #6AWG
	1	LB-100DCG	5.79/ 147.1	1.74/ 44.2	2.98/ 75.7	12.20/ 0.2	3 #4AWG
	1-1/4	LB-125DCG	7.79/ 197.9	2.49/ 63.2	3.74/ 95.0	32.30/ 0.5	3 #2AWG
	1-1/2	LB-150DCG	7.81/ 198.4	2.49/ 63.2	3.89/ 98.8	33.80/ 0.6	3 #2AWG
	2	LB-200DCG	10.20/ 259.1	3.10/ 78.7	4.50/ 114.3	71.20/ 1.2	3 #4/0AWG
	2-1/2	LB-250DCG	13.14/ 333.8	4.33/ 110.0	6.03/ 153.2	153.00/ 2.5	3 #4/0AWG
	3	LB-300DCG	13.14/ 333.8	4.33/ 110.0	6.69/ 169.9	183.50/ 3.0	3 #4/0AWG
	3-1/2	LB-350DCG	15.46/ 392.7	5.43/ 137.9	7.39/ 187.7	304.90/ 5.0	3 #350MCM
	4	LB-400DCG	15.46/ 392.7	5.43/ 137.9	7.48/ 190.0	308.00/ 5.0	3 #350MCM
LL	1/2	LL-50DCG	4.40/ 111.8	2.06/ 52.3	1.64/ 41.7	4.35/ 0.1	N/A †
	3/4	LL-75DCG	5.07/ 128.8	2.26/ 57.4	1.88/ 47.8	7.30/ 0.1	3 #6AWG
	1	LL-100DCG	5.94/ 150.9	2.68/ 68.1	2.14/ 54.4	12.20/ 0.2	3 #4AWG
	1-1/4	LL-125DCG	7.87/ 199.9	3.50/ 88.9	2.97/ 75.4	35.40/ 0.6	3 #2AWG
	1-1/2	LL-150DCG	7.87/ 199.9	3.50/ 88.9	2.97/ 75.4	35.80/ 0.6	3 #1/0AWG
	2	LL-200DCG	10.20/ 259.1	3.83/ 97.3	3.65/ 92.7	69.70/ 1.1	3 #4/0AWG

† Does not apply.

NEER Aluminum Threaded Conduit Body, Cover and Gasket Assemblies

For Rigid Conduit and IMC

	Trade Size (Inches)	Catalog Number Threaded	Dimensions in Inches/ Millimeters			Volume in ³ /dm ³	Max. No. Conductors	
			A	B	C			
	1/2	LR-50DCG	4.40/ 111.8	2.06/ 52.3	1.64/ 41.7	4.35/ 0.1	N/A †	
	3/4	LR-75DCG	5.07/ 128.8	2.06/ 52.3	1.88/ 47.8	7.30/ 0.1	3 #6AWG	
	1	LR-100DCG	5.94/ 150.9	2.68/ 68.1	2.14/ 54.4	12.20/ 0.2	3 #4AWG	
	1-1/4	LR-125DCG	7.87/ 199.9	3.50/ 88.9	2.97/ 75.4	35.80/ 0.6	3 #2AWG	
	1-1/2	LR-150DCG	7.87/ 199.9	3.50/ 88.9	2.97/ 75.4	35.80/ 0.6	3 #1/0AWG	
	2	LR-200DCG	10.20/ 259.1	3.83/ 97.3	3.65/ 92.7	69.70/ 1.1	3 #4/0AWG	
	1/2	LC-50DCG	4.82/ 122.4	1.31/ 33.3	1.64/ 41.7	4.35/ 0.1	N/A †	
	3/4	LC-75DCG	5.50/ 139.7	1.53/ 38.9	1.88/ 47.8	7.33/ 0.1	3 #6AWG	
	1	LC-100DCG	6.44/ 163.6	1.74/ 44.2	2.14/ 54.4	12.20/ 0.2	3 #4AWG	
	1-1/4	LC-125DCG	8.45/ 214.6	2.49/ 63.2	2.97/ 75.4	33.40/ 0.5	3 #2AWG	
	1-1/2	LC-150DCG	8.45/ 214.6	2.49/ 63.2	2.97/ 75.4	33.50/ 0.5	3 #1/0AWG	
	2	LC-200DCG	10.71/ 272.0	3.10/ 78.7	3.65/ 92.7	69.50/ 1.1	3 #4/0AWG	
	1/2	TC-50DCG	4.82/ 122.4	2.06/ 52.3	1.64/ 41.7	4.35/ 0.1	N/A †	
	3/4	TC-75DCG	5.50/ 139.7	2.06/ 52.3	1.88/ 47.8	7.30/ 0.1	3 #6AWG	
	1	TC-100DCG	6.44/ 163.6	2.68/ 68.1	2.14/ 54.4	12.20/ 0.2	3 #4AWG	
	1-1/4	TC-125DCG	8.45/ 214.6	3.50/ 88.9	2.97/ 75.4	33.10/ 0.5	3 #2AWG	
	1-1/2	TC-150DCG	8.45/ 214.6	3.50/ 88.9	2.97/ 75.4	33.10/ 0.5	3 #1/0AWG	
	2	TC-200DCG	10.71/ 272.0	3.83/ 97.3	3.65/ 92.7	67.00/ 1.1	3 #4/0AWG	

† Does not apply.