

COOPER LIGHTING - SURE-LITES®



XR6C
XR1624C
XR16C



XR7C
XR9C
XR20C
XR21C
XR12206C
XR12208C

XR SERIES

Steel

Chicago Code

EMERGENCY LIGHTING

- Dual-voltage input 120/277VAC, 60Hz
- 22 gauge die formed steel
- White finish
- Two fully adjustable metal heads with die cast swivel - top mounted
- Sealed Lead Calcium or Premium Nickel Cadmium batteries
- Knockout, conduit or cord set
- Universal J-box mounting pattern, keyhole slots
- Remote capability
- Line-latching, solid-state voltage limited charger, solid-state switching, low-voltage disconnect, brownout circuit, overload/short-circuit protection, test switch/power indicator light
- UL 924 Listed, Life Safety NFPA 101, NEC/OSHA, most state and local codes.
- City of Chicago approval Number 3238

DESCRIPTION

The XR Series is an efficient, rugged, commercial grade emergency light.

Most units have the extra capacity to power remote heads for added application flexibility.

DIMENSIONS

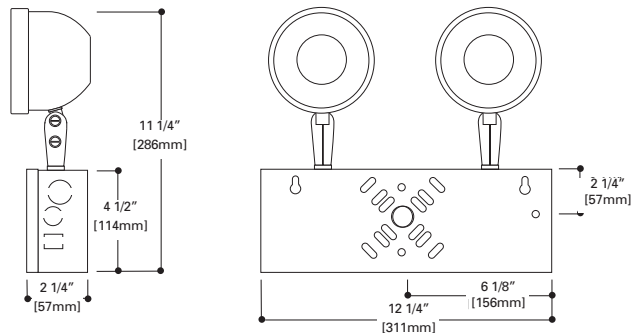


Figure 1

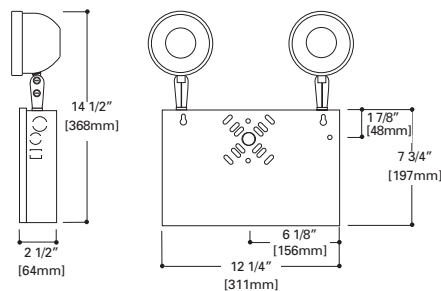


Figure 2

ELECTRICAL RATINGS

Model	Rated Wattage to 87 1/2% of Rated D.C. Voltage						Lamp Information		
	Type	DC Voltage	1 1/2 Hours	Lamp Watts	Remote Watts	Figure	Type	Wattage	Number
XR6C	SLC	6	27	24	3	1	Halogen	12	29-66
XR7C	SLC	6	36	24	12	2	Halogen	12	29-66
XR9C*	SLC	6	54	24	30	2	Halogen	12	29-66
XR1624C	SNC	6	24	24	0	1	Halogen	12	29-66
XR16C	SNC	6	50	24	26	1	Halogen	12	29-66
XR20C	SNC	12	30	24	6	2	Halogen	12	29-45
XR21C	SNC	12	50	24	26	2	Halogen	12	29-45
XR12206C	SLC	12	36	24	12	2	Halogen	12	29-45
XR12208C	SLC	12	54	24	30	2	Halogen	12	29-45

*XR9C is UL Listed for 4 hours with 24 watt lamp load only - No remote load
SLC=Sealed Lead Calcium
SNC=Sealed Nickel Cadmium

ORDERING INFORMATION

SAMPLE NUMBER: XR6C

Model Number XR6C XR1624C XR16C XR7C XR9C XR20C XR21C XR12206C XR12208C	Options (add as suffix) Alternate Lamps=Consult Cooper Lighting Representative A=Ammeter ⁽¹⁾ SD=Self Diagnostics ⁽²⁾ TDM=Time Delay Monitor V=Voltmeter ⁽¹⁾ Other Options=Consult Cooper Lighting Representative	Accessories (order separately) 1BRWH=Mounting Brackets (2) - White 1MSWH=Mounting Shelf - White VK1=Voltmeter WG1=Wire Guard
---	--	---

ENERGY DATA

Model No.	Input Current (Max.):		Model No.	Input Current (Max.):	
XR6C	120V= .21A	277V= .10A	XR20C	120V= .08A	277V= .03A
XR7C	120V= .20A	277V= .09A	XR21C	120V= .11A	277V= .05A
XR9C	120V= .21A	277V= .10A	XR12206C	120V= .29A	277V= .13A
XR1624C	120V= .08A	277V= .03A	XR12208C	120V= .28A	277V= .12A
XR16C	120V= .08A	277V= .04A			

⁽¹⁾ XR6C, XR1624 and XR16C housings have provision for one meter only. ⁽²⁾ XR7C, XR9C, XR16C not available with SD.