

Roughneck High Amperage Connectors are rugged and weatherproof and provide a high level of indestructibility. They are built to take heavy abuse (resistant to wind, rain, mud, oil, and sea water), yet can be quickly connected and disconnected without any tools.

Specially designed to handle a variety of drilling applications, they can be quickly and safely connected to the switchgear, AC or DC sides of the SCR package, and carry power to mud pumps and traction motors.

The latching device locks the halves together, eliminating the possibility of accidental disengagement, which can cause disruption of service and electrical shock hazards. The latching device is designed to permit insertion of a lockout/tagout device to provide additional security or the ability to padlock.

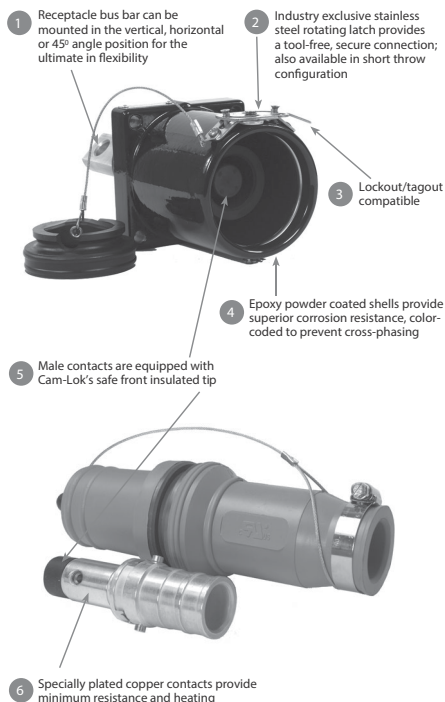
Roughneck Plugs and Receptacles feature totally shielded contacts. The rubber insulator extends past the ends of both male and female contacts for complete safety. Male contacts are equipped with an insulated tip to minimize potential shock hazard. Roughneck products provide the safest high amperage connector in the industry.

Ten colors are available to provide easy circuit identification when mating plugs with receptacles. Color coding helps prevent reverse phasing on AC circuits or cross polarization on DC circuits to assure correct rotation of motors while providing for operator safety.

Applications:

- Roughneck Plugs and Receptacles are built to take heavy abuse while providing a simple, secure, and safe connection
- Roughneck products are designed specifically for oil and gas drilling applications

Features:



Electrical Ratings:

- 1000 Volts, Max. AC/DC
- 1135 amps continuous (1300 amps intermittent)

Temperature Ratings:

- -40°C to 125°C

Certifications and Compliances:

- cURus: E73864

Environmental Ratings:

- NEMA 3

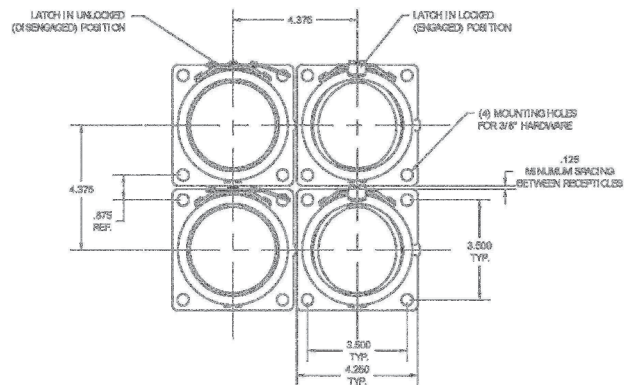
Standard Materials:

- Cable sizes - 313-777 MCM
- Insulator - rubber
- Receptacle shell - epoxy powder coated aluminum alloy
- Hardware - stainless steel
- Contact - copper

Ampacity Rating - 40°C Ambient

Cable Size	90°C†	125°C†
313 MCM	513 amps	636 amps
444 MCM	642 amps	796 amps
535 MCM	724 amps	898 amps
646 MCM	814 amps	1009 amps
777 MCM	916 amps	1135 amps

†Conductor temperature shall not exceed these ratings.



Receptacle housing mounting pattern (rotating latch)
(0.125" minimum spacing required between receptacles)

10P

10P Roughneck E1049 Series Receptacles

NEMA 3

**Cable Size 313-777 MCM
1000V AC/DC, 1135A**

Roughneck Receptacles Single and Double Hole Bus Bar - Rotating Latch

Features:

- Color-coded receptacle housings are designed to provide easy circuit identification
- Epoxy powder shell coating provides superior corrosion resistance
- Receptacle housing allows bus bar positioning at vertical, horizontal, and 45° to ease cable routing
- Receptacle assembly provides 360° mounting capabilities
- Ten standard colors available
- Locking device is lockout compatible
- Dust cover is secured to the receptacle housing
- Stainless steel hardware
- Recessed contacts protected by insulating jacket that extends beyond contact ends for safety

Testing and Code Compliance:

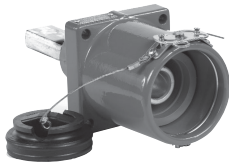
- cURus: E73864

Material Characteristics:

- Receptacle body: rubber
- Environmental: NEMA 3
- Temperature rating: -40°C to 125°C

Ordering Information - Female Bus Bar:

Female Double Hole Bus Bar				Female Single Hole Bus Bar		
Complete Assembly Cat. #	Housing Assembly Cat. #	Contact Assembly Cat. #	Color	Complete Assembly Cat. #	Housing Assembly Cat. #	Contact Assembly Cat. #
E1049-1833X-BK	3326695-1	A201108-9	Black	E1049-1825X-BK	3326695-1	A201108-1
E1049-1834X-Y	3326695-2	A201108-10	Yellow	E1049-1826X-Y	3326695-2	A201108-2
E1049-1835X-R	3326695-3	A201108-11	Red	E1049-1827X-R	3326695-3	A201108-3
E1049-1836X-OR	3326695-4	A201108-12	Orange	E1049-1828X-OR	3326695-4	A201108-4
E1049-1837X-G	3326695-5	A201108-13	Green	E1049-1829X-G	3326695-5	A201108-5
E1049-1838X-W	3326695-6	A201108-14	White	E1049-1830X-W	3326695-6	A201108-6
E1049-1839X-BL	3326695-7	A201108-15	Blue	E1049-1831X-BL	3326695-7	A201108-7
E1049-1840X-BR	3326695-8	A201108-16	Brown	E1049-1832X-BR	3326695-8	A201108-8
E1049-1822X-PR	3326695-9	A201108-19	Purple	E1049-1820X-PR	3326695-9	A201108-17
E1049-1823X-GY	3326695-10	A201108-20	Gray	E1049-1821X-GY	3326695-10	A201108-18



E1049-1835X-R

Ordering Information - Male Bus Bar:

Male Double Hole Bus Bar				Male Single Hole Bus Bar		
Complete Assembly Cat. #	Housing Assembly Cat. #	Contact Assembly Cat. #	Color	Complete Assembly Cat. #	Housing Assembly Cat. #	Contact Assembly Cat. #
E1049-1808X-BK	3326695-1	A201099-9	Black	E1049-1800X-BK	3326695-1	A201099-1
E1049-1809X-Y	3326695-2	A201099-10	Yellow	E1049-1801X-Y	3326695-2	A201099-2
E1049-1810X-R	3326695-3	A201099-11	Red	E1049-1802X-R	3326695-3	A201099-3
E1049-1811X-OR	3326695-4	A201099-12	Orange	E1049-1803X-OR	3326695-4	A201099-4
E1049-1812X-G	3326695-5	A201099-13	Green	E1049-1804X-G	3326695-5	A201099-5
E1049-1813X-W	3326695-6	A201099-14	White	E1049-1805X-W	3326695-6	A201099-6
E1049-1814X-BL	3326695-7	A201099-15	Blue	E1049-1806X-BL	3326695-7	A201099-7
E1049-1815X-BR	3326695-8	A201099-16	Brown	E1049-1807X-BR	3326695-8	A201099-8
E1049-1818X-PR	3326695-9	A201099-19	Purple	E1049-1816X-PR	3326695-9	A201099-17
E1049-1819X-GY	3326695-10	A201099-20	Gray	E1049-1817X-GY	3326695-10	A201099-18



E1049-1808X-BK

Receptacle assembly part numbers include the insulator, receptacle housing, gasket, and dust cover.

Dust cover receptacle male or female catalog number: A201113-5.

Roughneck E1049 Series Receptacles

NEMA 3

10P

**Cable Size 313-777 MCM
1000V AC/DC, 1135A**

Roughneck Receptacles Single and Double Hole Bus Bar - Short Throw Latch

Features:

- Color-coded receptacle housings are designed to provide easy circuit identification
- Epoxy powder shell coating provides superior corrosion resistance
- Receptacle housing allows bus bar positioning at vertical, horizontal, and 45° to ease cable routing
- Receptacle assembly provides 360° mounting capabilities
- Ten standard colors available
- Locking device is lockout compatible
- Dust cover can be secured to the receptacle housing
- Stainless steel hardware
- Recessed contacts protected by insulating jacket that extends beyond contact ends for safety

Testing and Code Compliance:

- cURus: E73864

Material Characteristics:

- Receptacle body: rubber
- Environmental: NEMA 3
- Temperature rating: -40°C to 125°C

Ordering Information - Female Bus Bar:

Female Double Hole Bus Bar				Female Single Hole Bus Bar		
Complete Assembly Cat. #	Housing Assembly Cat. #	Contact Assembly Cat. #	Color	Complete Assembly Cat. #	Housing Assembly Cat. #	Contact Assembly Cat. #
E1049-1833ST-BK	3326695-1ST	A201108-9	Black	E1049-1825ST-BK	3326695-1ST	A201108-1
E1049-1834ST-Y	3326695-2ST	A201108-10	Yellow	E1049-1826ST-Y	3326695-2ST	A201108-2
E1049-1835ST-R	3326695-3ST	A201108-11	Red	E1049-1827ST-R	3326695-3ST	A201108-3
E1049-1836ST-OR	3326695-4ST	A201108-12	Orange	E1049-1828ST-OR	3326695-4ST	A201108-4
E1049-1837ST-G	3326695-5ST	A201108-13	Green	E1049-1829ST-G	3326695-5ST	A201108-5
E1049-1838ST-W	3326695-6ST	A201108-14	White	E1049-1830ST-W	3326695-6ST	A201108-6
E1049-1839ST-BL	3326695-7ST	A201108-15	Blue	E1049-1831ST-BL	3326695-7ST	A201108-7
E1049-1840ST-BR	3326695-8ST	A201108-16	Brown	E1049-1832ST-BR	3326695-8ST	A201108-8
E1049-1822ST-PR	3326695-9ST	A201108-19	Purple	E1049-1820ST-PR	3326695-9ST	A201108-17
E1049-1823ST-GY	3326695-10ST	A201108-20	Gray	E1049-1821ST-GY	3326695-10ST	A201108-18



E1049-1833ST-BK

Ordering Information - Male Bus Bar:

Male Double Hole Bus Bar				Male Single Hole Bus Bar		
Complete Assembly Cat. #	Housing Assembly Cat. #	Contact Assembly Cat. #	Color	Complete Assembly Cat. #	Housing Assembly Cat. #	Contact Assembly Cat. #
E1049-1808ST-BK	3326695-1ST	A201099-9	Black	E1049-1800ST-BK	3326695-1ST	A201099-1
E1049-1809ST-Y	3326695-2ST	A201099-10	Yellow	E1049-1801ST-Y	3326695-2ST	A201099-2
E1049-1810ST-R	3326695-3ST	A201099-11	Red	E1049-1802ST-R	3326695-3ST	A201099-3
E1049-1811ST-OR	3326695-4ST	A201099-12	Orange	E1049-1803ST-OR	3326695-4ST	A201099-4
E1049-1812ST-G	3326695-5ST	A201099-13	Green	E1049-1804ST-G	3326695-5ST	A201099-5
E1049-1813ST-W	3326695-6ST	A201099-14	White	E1049-1805ST-W	3326695-6ST	A201099-6
E1049-1814ST-BL	3326695-7ST	A201099-15	Blue	E1049-1806ST-BL	3326695-7ST	A201099-7
E1049-1815ST-BR	3326695-8ST	A201099-16	Brown	E1049-1807ST-BR	3326695-8ST	A201099-8
E1049-1818ST-PR	3326695-9ST	A201099-19	Purple	E1049-1816ST-PR	3326695-9ST	A201099-17
E1049-1819ST-GY	3326695-10ST	A201099-20	Gray	E1049-1817ST-GY	3326695-10ST	A201099-18



E1049-1814ST-BL

Receptacle assembly part numbers include the insulator, receptacle housing, gasket, and dust cover.

Dust cover receptacle male or female catalog number: A201113-1.

10P Roughneck E1049 Series Receptacles

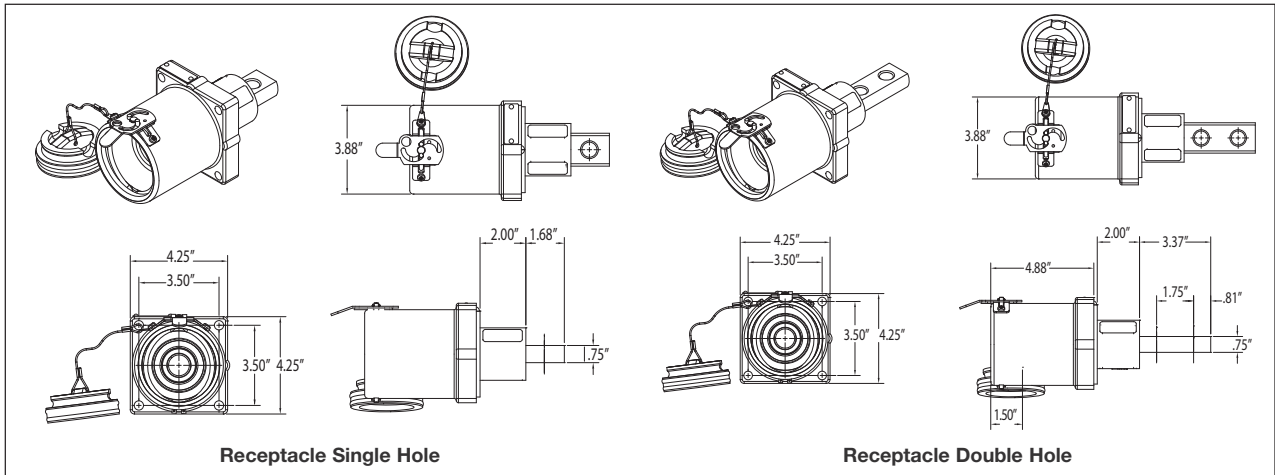
NEMA 3

**Cable Size 313-777 MCM
1000V AC/DC, 1135A**

Accessories:

Description	Cat. #
Receptacle Repair Kit - Short Throw	K3326821
Clevis Pin for Coupler	A101058-2
Adhesive, 8 oz. Can	100312-2
Receptacle Dust Cover - Short Throw	A201113-1
Dust Cover for Male Plug, Black	A201113-2
Dust Cover for Female Plug, Black	A201114-2
Gasket for Receptacle Housing	201115
Lockout Kit for Padlocking Receptacle	A201120-1
Coupler for Mating Male to Female Plug	A201096-1
Receptacle Dust Cover - Rotating Latch	A201113-5
Neoprene Vulcanizing Tape	319735-1

Dimensions:



Receptacle Single Hole

Receptacle Double Hole