

Roughneck High Amperage Connectors are rugged and weatherproof and provide a high level of indestructibility. They are built to take heavy abuse (resistant to wind, rain, mud, oil, and sea water), yet can be quickly connected and disconnected without any tools.

Specially designed to handle a variety of drilling applications, they can be quickly and safely connected to the switchgear, AC or DC sides of the SCR package, and carry power to mud pumps and traction motors.

The latching device locks the halves together, eliminating the possibility of accidental disengagement, which can cause disruption of service and electrical shock hazards. The latching device is designed to permit insertion of a lockout/tagout device to provide additional security or the ability to padlock.

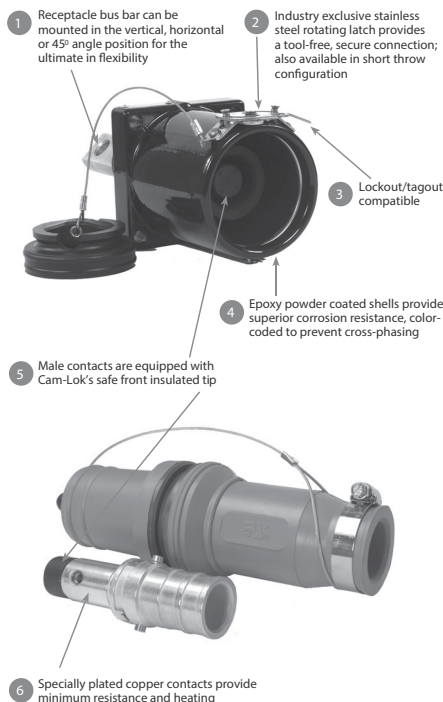
Roughneck Plugs and Receptacles feature totally shielded contacts. The rubber insulator extends past the ends of both male and female contacts for complete safety. Male contacts are equipped with an insulated tip to minimize potential shock hazard. Roughneck products provide the safest high amperage connector in the industry.

Ten colors are available to provide easy circuit identification when mating plugs with receptacles. Color coding helps prevent reverse phasing on AC circuits or cross polarization on DC circuits to assure correct rotation of motors while providing for operator safety.

Applications:

- Roughneck Plugs and Receptacles are built to take heavy abuse while providing a simple, secure, and safe connection
- Roughneck products are designed specifically for oil and gas drilling applications

Features:



Electrical Ratings:

- 1000 Volts, Max. AC/DC
- 1135 amps continuous (1300 amps intermittent)

Temperature Ratings:

- -40°C to 125°C

Certifications and Compliances:

- cURus: E73864

Environmental Ratings:

- NEMA 3

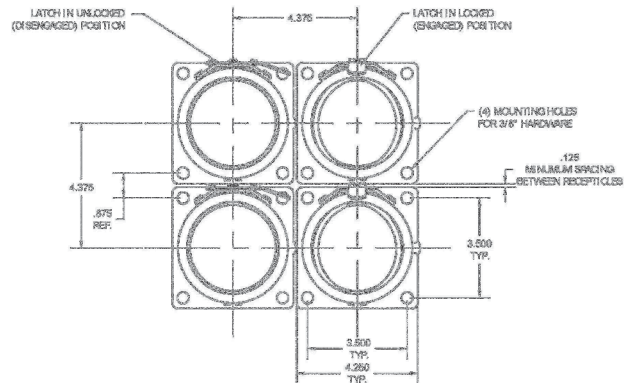
Standard Materials:

- Cable sizes - 313-777 MCM
- Insulator - rubber
- Receptacle shell - epoxy powder coated aluminum alloy
- Hardware - stainless steel
- Contact - copper

Ampacity Rating - 40°C Ambient

Cable Size	90°C†	125°C†
313 MCM	513 amps	636 amps
444 MCM	642 amps	796 amps
535 MCM	724 amps	898 amps
646 MCM	814 amps	1009 amps
777 MCM	916 amps	1135 amps

†Conductor temperature shall not exceed these ratings.



Receptacle housing mounting pattern (rotating latch)
(0.125" minimum spacing required between receptacles)

10P

10P Roughneck E1049 Series Receptacles

NEMA 3

**Cable Size 313-777 MCM
1000V AC/DC, 1135A**

Accessories:

Description	Cat. #
Receptacle Repair Kit - Short Throw	K3326821
Clevis Pin for Coupler	A101058-2
Adhesive, 8 oz. Can	100312-2
Receptacle Dust Cover - Short Throw	A201113-1
Dust Cover for Male Plug, Black	A201113-2
Dust Cover for Female Plug, Black	A201114-2
Gasket for Receptacle Housing	201115
Lockout Kit for Padlocking Receptacle	A201120-1
Coupler for Mating Male to Female Plug	A201096-1
Receptacle Dust Cover - Rotating Latch	A201113-5
Neoprene Vulcanizing Tape	319735-1

Dimensions:

