

Cam-Lok™ J-series applications, features & benefits

Discover how Cam-Lok™ J-series connectivity outperforms hardwiring

Cam-Lok™ J-series connectors quickly replace traditional hardwiring and offer more safety with integrated watertight insulators and a strain relief system. Plus, a wide range of sizes, colors and accessories are available for complete flexibility

Features & benefits

Non-metallic retaining screw provides safe, strong and reliable contact retention

Easy assembly with standard tools

Retaining screw snaps into place to prevent loss



E-Z align drive pin increases torque and longitudinal strength 300%

Accommodates a wide range of cable sizes: #2 – 4/0

Double set screw termination for added strength (crimp also available)



Non-vulcanized E1016 & EZ1016 plugs feature a high-strength, molded-in-place locking ring to capture and secure the insulator to the contact

Fully insulated for direct mounting to steel panels



Threaded stud and double set screw receptacles available (other terminations available)

Snapback covers provide NEMA 3R environmental seal



High impact-resistant thermoplastic protects receptacles from damage

Custom cover logos available

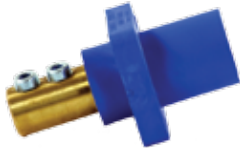


Wide range of colors available

Cam-Lok™ J-series E1016 receptacles

Product description

Cable size 1/0 – 4/0
600V AC/DC, up to 400A continuous
480V AC/DC, up to 315A continuous
NEMA 3R



E1016-1706



E1016-2269

J-series E1016, elastomeric - double set screw/inter-lock switch

Features

- Double cam principle provides a positive, vibration-proof connection
- Self-compensating for wear
- No moving contact surfaces, eliminating arcing or burning
- Superior electromechanical connections
- Locked contacts will withstand a pulling force of 1,000 lbs.
- 1/3 of a turn assures a high pressure contact approaching 600 lbs. per sq. in. providing minimum resistance
- Contacts carefully machined from a high conductivity brass to a smooth sliding fit and easy locking action
- Watertight elastomeric body molded from colorfast material, color-coded for easy phase identification
- Recessed contacts protected by insulating jacket that extends beyond contact ends for safety
- Receptacles are safety insulated for direct mounting to steel panels

Insulated receptacles double set screw

Tightening torque		Color	Male complete part no.	Female complete part no.
Cable	Torque (In lbs.)	BK	E1016-1700	E1016-1725
1/0-2/0	120	RD	E1016-1702	E1016-1727
3/0-4/0	220	GR	E1016-1704	E1016-1729
600 Volts		WH	E1016-1705	E1016-1730
400 Amps		BU	E1016-1706	E1016-1731
		BRN	E1016-1707	E1016-1732
		ORG	E1016-1703	E1016-1728
		YEL	E1016-1701	E1016-1726

For E1016 double set screw receptacle drawings, see Page F-36

Insulated receptacles with inter-lock switch

	Color	Female complete part no.
Female receptacles with inter-lock switch	BK	E1016-2267
	RD	E1016-2269
480 Volts	GR	E1016-2271
315 Amps	WH	E1016-2272
	BU	E1016-2294
	BRN	E1016-2295
	ORG	E1016-2270
	YEL	E1016-2268

For E1016 insulated receptacle with inter-lock switch drawings, see page F-51
To order single packaged products add a "K" suffix to the complete part number

Color information:

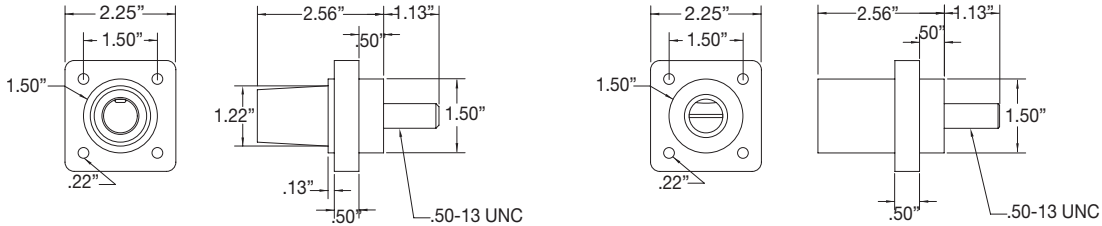
BK (Black), RD (Red), GR (Green), WH (White), BU (Blue), BRN (Brown), ORG (Orange), YEL (Yellow)

BK	RD	GR	WH	BU	BRN	ORG	YEL
(Black)	(Red)	(Green)	(White)	(Blue)	(Brown)	(Orange)	(Yellow)

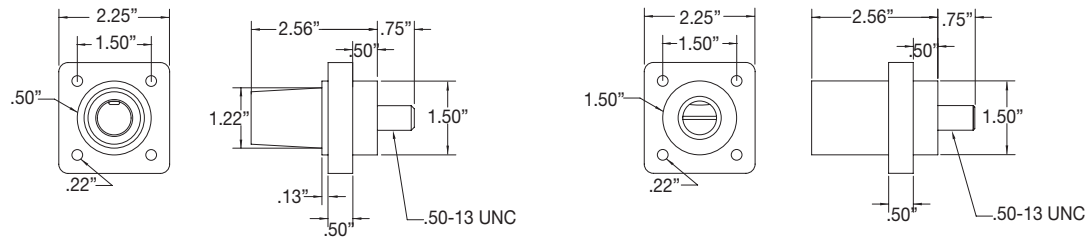
Testing & code compliance: Listed to UL1691, Listed to CSA C22.2, No. 1691-12, CSA certified to C22.2, No. 182.3 LR 13963
Material characteristics: Body: TPE, Environmental: NEMA 3R, Temperature rating: Operating ambient: -40° C to 105° C
Compliances, specifications and availability are subject to change without notice.

Single pole connector drawings

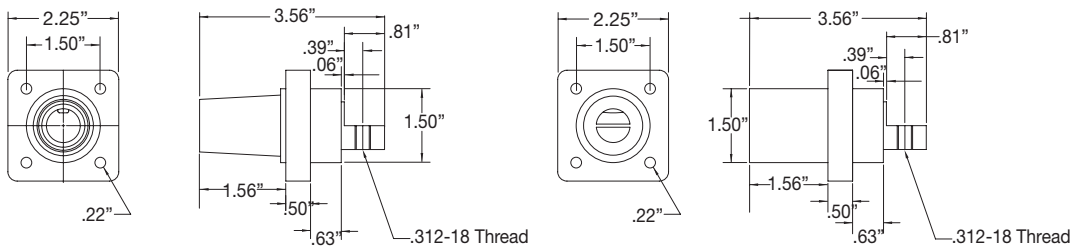
J-series E1016 receptacles



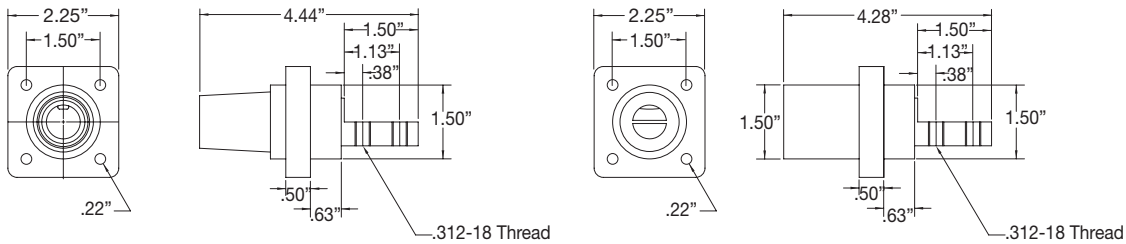
Female & male E1016 threaded stud receptacles, 1 1/8" stud



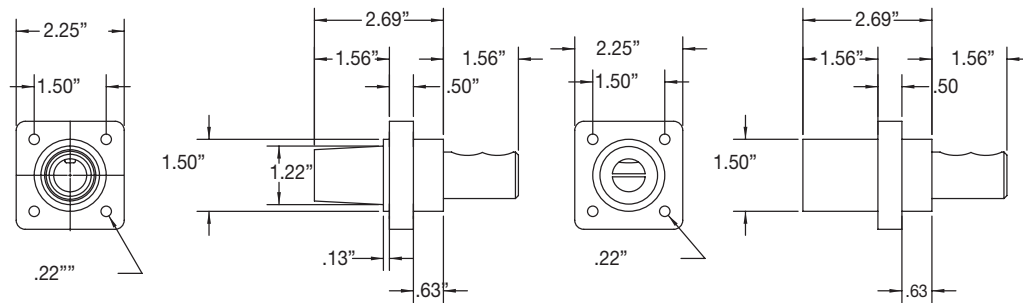
Female & male E1016 threaded stud receptacles, 3/4" stud



Female & male E1016 single hole busbar receptacles



Female & male E1016 double hole busbar receptacles



Female & male E1016 double set screw receptacles

Compliances, specifications and availability are subject to change without notice