

Cam-Lok™ J-series applications, features & benefits

Discover how Cam-Lok™ J-series connectivity outperforms hardwiring

Cam-Lok™ J-series connectors quickly replace traditional hardwiring and offer more safety with integrated watertight insulators and a strain relief system. Plus, a wide range of sizes, colors and accessories are available for complete flexibility

Features & benefits

Non-metallic retaining screw provides safe, strong and reliable contact retention

Easy assembly with standard tools

Retaining screw snaps into place to prevent loss



E-Z align drive pin increases torque and longitudinal strength 300%

Accommodates a wide range of cable sizes: #2 – 4/0

Double set screw termination for added strength (crimp also available)

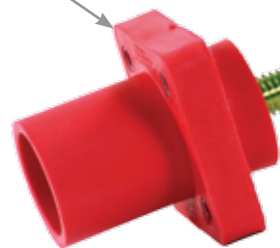


Non-vulcanized E1016 & EZ1016 plugs feature a high-strength, molded-in-place locking ring to capture and secure the insulator to the contact

Fully insulated for direct mounting to steel panels

Threaded stud and double set screw receptacles available (other terminations available)

High impact-resistant thermoplastic protects receptacles from damage



Snapback covers provide NEMA 3R environmental seal

Custom cover logos available



Wide range of colors available

Cam-Lok™ J-series E1016 receptacles

Product description

Cable size #6 AWG – 250 MCM
600V AC/DC, up to 400A continuous
NEMA 3R



E1016-1602S 1 1/8"



E1016-1600 3/4"

J-series E1016, elastomeric, threaded stud

Features

- Double cam principle provides a positive, vibration-proof connection
- Self-compensating for wear
- No moving contact surfaces, eliminating arcing or burning
- Superior electromechanical connections
- Locked contacts will withstand a pulling force of 1,000 lbs.
- 1/3 of a turn assures a high pressure contact approaching 600 lbs. per sq. in. providing minimum resistance
- Contacts carefully machined from a high conductivity brass to a smooth sliding fit and easy locking action
- Watertight elastomeric body molded from colorfast material, color-coded for easy phase identification
- Recessed contacts protected by insulating jacket that extends beyond contact ends for safety
- Receptacles are safety insulated for direct mounting to steel panels

Insulated receptacles - 1 1/8" threaded stud

Color	Male complete part no.	Female complete part no.
BK	E1016-1600S	E1016-1631S
RD	E1016-1602S	E1016-1633S
GR	E1016-1604S	E1016-1635S
WH	E1016-1605S	E1016-1636S
BU	E1016-1612S	E1016-1643S
BRN	E1016-1619S	E1016-1687S
ORG	E1016-1603S	E1016-1634S
YEL	E1016-1601S	E1016-1632S

Stud size: 1/2"-13, Maximum torque: 40 ft. lbs.

Insulated receptacles - 3/4" threaded stud

Color	Male complete part no.	Female complete part no.
BK	E1016-1600	E1016-1631
RD	E1016-1602	E1016-1633
GR	E1016-1604	E1016-1635
WH	E1016-1605	E1016-1636
BU	E1016-1612	E1016-1643
BRN	E1016-1619	E1016-1687
ORG	E1016-1603	E1016-1634
YEL	E1016-1601	E1016-1632

Stud size: 1/2"-13, Maximum torque: 40 ft. lbs.

For E1016 threaded stud receptacle drawings, see page F-36

To order single packaged products add a "K" suffix to the complete part number

Color information:

BK (Black), RD (Red), GR (Green), WH (White), BU (Blue), BRN (Brown), ORG (Orange), YEL (Yellow)



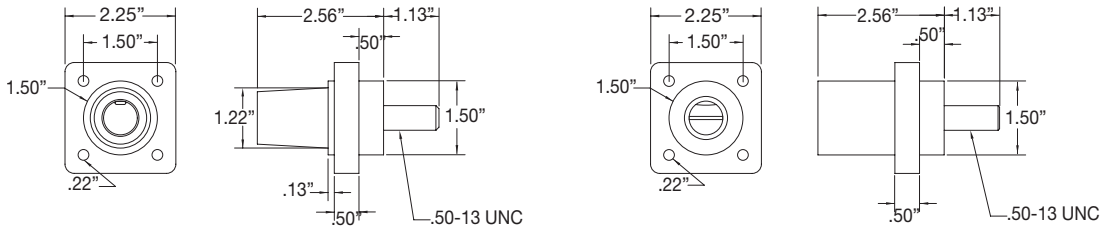
Testing & code compliance: Listed to UL1691, Listed to CSA C22.2, No. 1691-12, CSA certified to C22.2, No. 182.3 LR 13963

Material characteristics: Insulator: TPE, Environmental: NEMA 3R, Temperature rating: Operating ambient: -40° C to 105° C

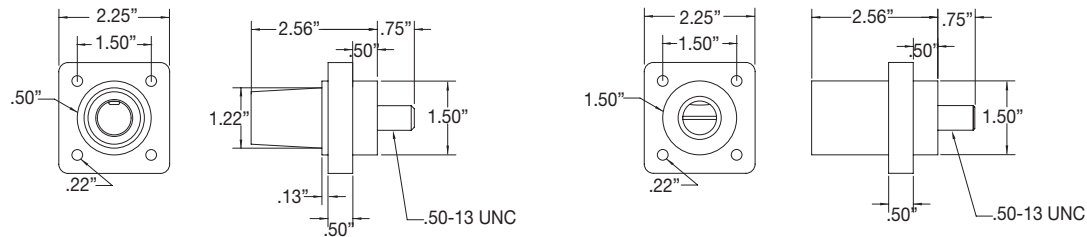
Compliances, specifications and availability are subject to change without notice.

Single pole connector drawings

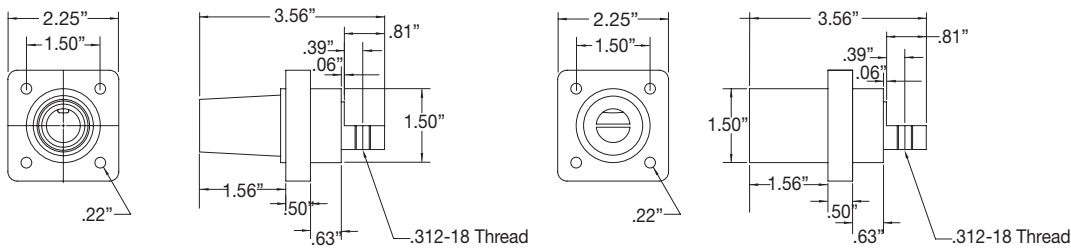
J-series E1016 receptacles



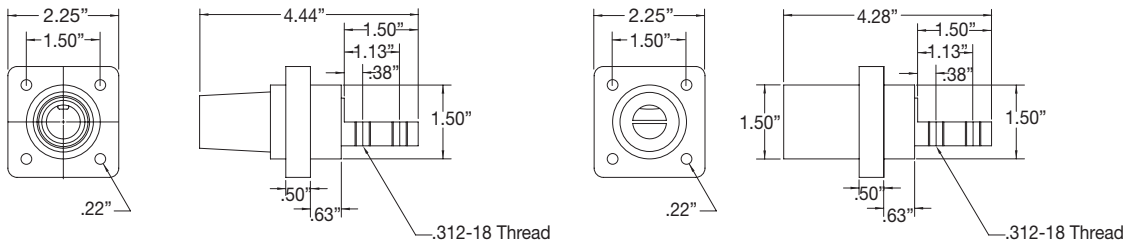
Female & male E1016 threaded stud receptacles, 1 1/8" stud



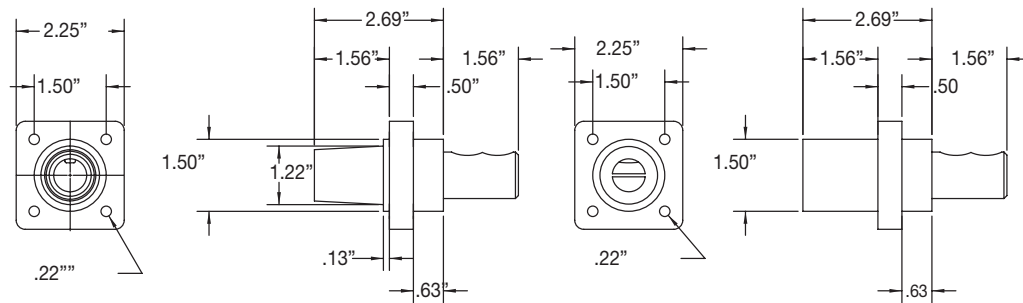
Female & male E1016 threaded stud receptacles, 3/4" stud



Female & male E1016 single hole busbar receptacles



Female & male E1016 double hole busbar receptacles



Female & male E1016 double set screw receptacles

Compliances, specifications and availability are subject to change without notice