

Cam-Lok™ J Series Connectors are specifically designed to meet the needs of demanding portable applications. J Series Plugs and Receptacles are the proven industry standard single pole connectors for reliability and service with added safety.

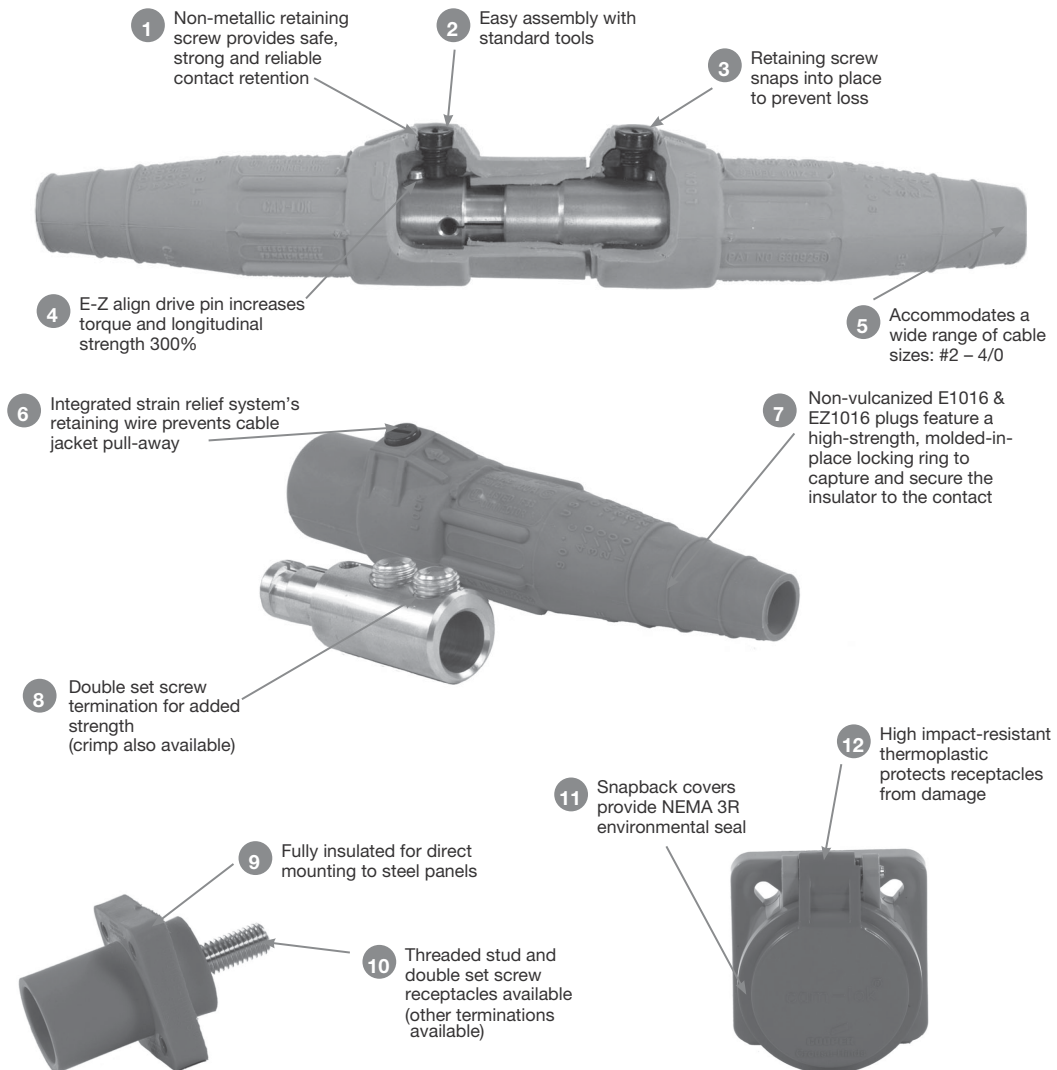
Applications:

- J Series Plugs and Receptacles are specifically designed for industrial power distribution applications requiring quick, tool-free connections
- Ideal for portable power, power distribution, motors, generators, and entertainment applications
- J Series replaces traditional hard wiring while cutting downtime and maintenance
- J Series Connectors are insulated, shatter/crack-resistant and watertight, plus heat-, weather-, ozone-, oil-, and abrasion-resistant

Certifications and Compliances:

- Listed to UL498, File No. E67181
- CSA certified to C22.2 No. 182.3 LR13963

Features:



Environmental Ratings:

- NEMA 3R or NEMA 4

Standard Materials:

- Accepts cable sizes: #8 AWG - 750 MCM
- Insulator - elastomeric or rubber
- Contact - brass or copper

Electrical Ratings:

- 600 Volts AC/DC
- 690 Amps continuous

Temperature Ratings:

- -40°C to 105°C

11P Cam-Lok™ Standard Series E1018 Terminals

NEMA 3R

**600V AC/DC
Up to 400A Continuous**

Standard Series E1018, Rubber Terminal

Features:

- Double cam principle provides a positive, vibration-proof connection
- Self-compensating for wear
- No moving contact surfaces, eliminating arcing or burning
- Superior electro-mechanical connections
- Locked contacts will withstand a pulling force of 1,000 lbs.
- 1/3 of a turn assures a high pressure contact approaching 600 lbs. per sq. in., providing minimum resistance
- Contacts carefully machined from a high conductivity brass to a smooth sliding fit and easy locking action
- Watertight body molded from colorfast material, color-coded for easy phase identification
- Recessed contacts protected by insulating jacket that extends beyond contact ends for safety



Testing and Code Compliance:

- CSA certified to C22.2 No. 182.3-M1987, File No. LR13963

Material Characteristics:

- Body - rubber
- Environmental rating: NEMA 3R
- Temperature rating: -40°C to 105°C

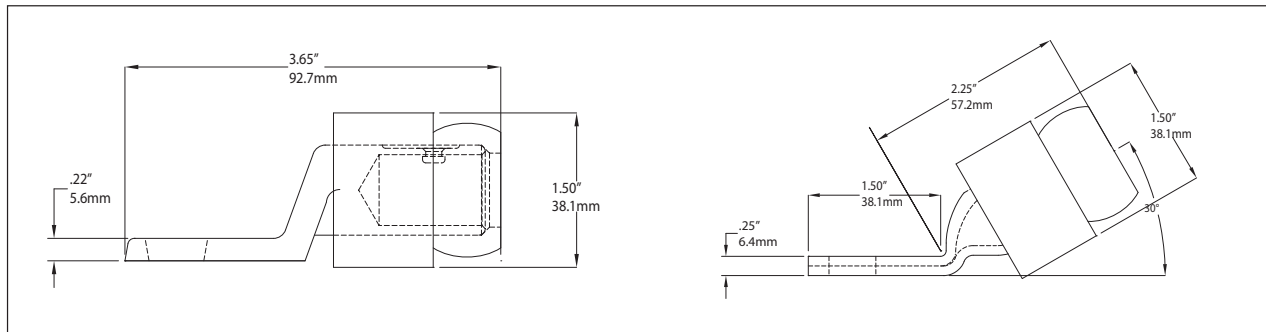
Ordering Information - Female Terminal Connectors:

	Color	Angle Style Complete Cat. #	Offset Style Complete Cat. #
	Black	E1018-575	E1018-625
	Red	E1018-577	E1018-627
	Green	E1018-579	E1018-629
	White	E1018-580	E1018-630
	Blue	E1018-587	E1018-638
	Brown	E1018-590	E1018-639
	Orange	E1018-578	E1018-628
	Yellow	E1018-576	E1018-626

Stud hole: 21/32" (16.7mm)

To order single packaged products, add a "K" suffix to the complete catalog number.

Dimensions:



11P

Cam-Lok™ Standard Series E1018

Accessories

Cable Size #2 AWG - 4 / 0
600V AC/DC
Up to 400A Continuous

NEMA 3R

11P

Standard Series E1018, Elastomeric

Features:

- Double cam principle provides a positive, vibration-proof connection
- Self-compensating for wear
- No moving contact surfaces, eliminating arcing or burning
- Superior electro-mechanical connections
- Locked contacts will withstand a pulling force of 1,000 lbs.
- 1/3 of a turn assures a high pressure contact approaching 600 lbs. per sq. in., providing minimum resistance
- Contacts carefully machined from a high conductivity brass to a smooth sliding fit and easy locking action
- Watertight elastomeric body molded from colorfast material, color-coded for easy phase identification
- Recessed contacts protected by insulating jacket that extends beyond contact ends for safety

Testing and Code Compliance:

- CSA certified to C22.2 No. 182.3-M1987, File No. LR13963

Material Characteristics:

- Insulator - TPE
- Environmental rating: NEMA 3R
- Temperature rating: -40°C to 105°C

Ordering Information - Three-Way Lay Down "T" Connectors:

Color	Paralleling "T" M-M-F Cat. #	Tapping "T" M-F-F Cat. #
Black	E1018-2324	E1018-2312
Red	E1018-2326	E1018-2314
Green	E1018-2328	E1018-2316
White	E1018-2329	E1018-2317
Blue	E1018-2348	E1018-2350
Brown	E1018-2396	E1018-2395
Orange	E1018-2327	E1018-2315
Yellow	E1018-2325	E1018-2313



E1018-2324

Ordering Information - Protective Caps:

Color	Male Cap Cat. #	Female Cap Cat. #
Black	A100435-1	A100433-1
Red	A100435-5	A100433-5
Green	A100435-9	A100433-9
White	A100435-11	A100433-11
Blue	A100435-15	A100433-15
Brown	A100435-13	A100433-13
Orange	A100435-7	A100433-7
Yellow	A100435-3	A100433-3



A100435-1

To order single packaged products, add a "K" suffix to the complete catalog number.

Dimensions:

