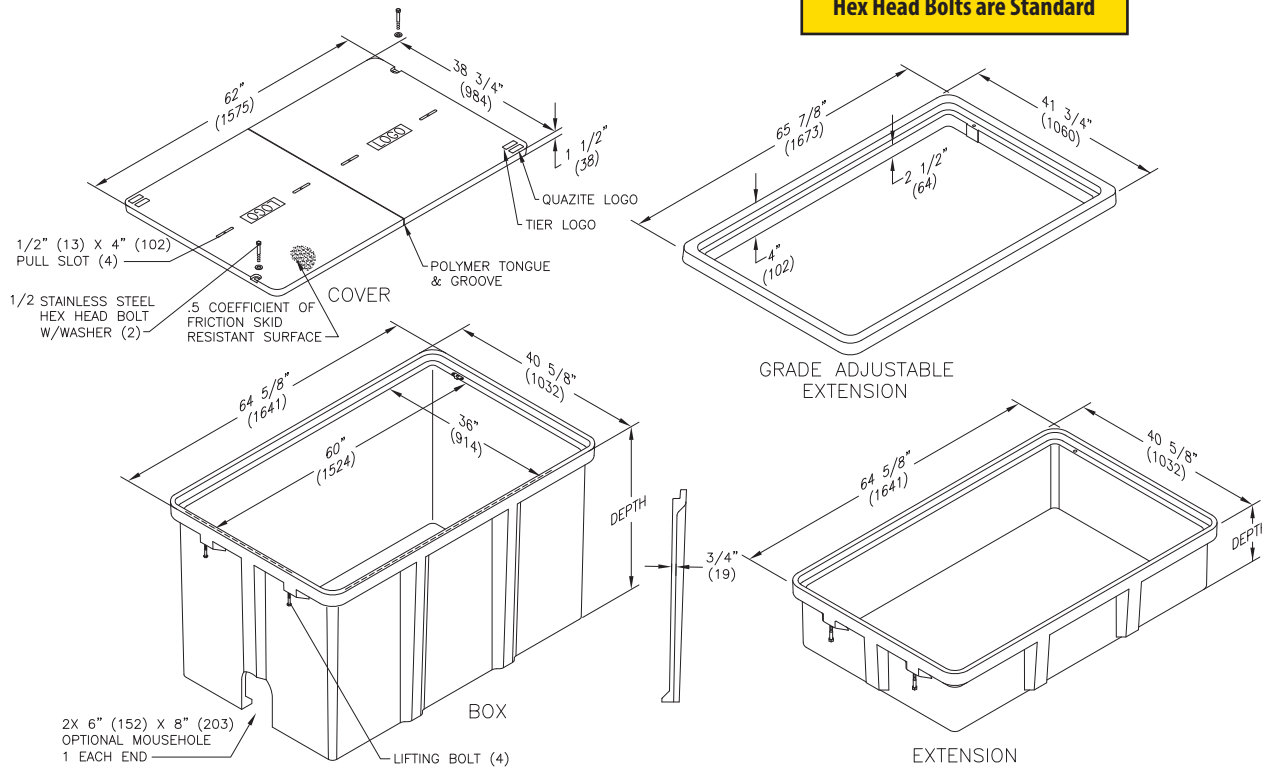


Dimensions / Data

36" x 60" PG Style Polymer Concrete (Stackable) Assembly

Hex Head Bolts are Standard



Covers

DESCRIPTION	TIER	DESIGN / TEST LOAD #	WEIGHT #	PALLET QTY	PART NO.
Lightweight 2 Bolts	5	5,000 / 7,500	222	10	LG3660CA00**
W/ 2 Bolts	15	15,000 / 22,500	384	10	PG3660HA00**
W/ 2 Bolts	22	22,500 / 33,750	470	10	PG3660HH00**
Lightweight No bolts	5	5,000 / 7,500	222	10	LG3660WA00**

Replace ** with a logo code found on page 18.

Boxes (Box depths 31" and 36" must be used as bottom of any stack)

DESCRIPTION	DEPTH	TIER	DESIGN / TEST LOAD #	WEIGHT #	PALLET QTY	PART NO.
Standard Open Bottom	19"	22	22,500 / 33,750	381	4	PG3660BA19
	24"		22,500 / 33,750	397	3	PG3660BA24
	31"		22,500 / 33,750	481	2	PG3660BA31
	36"		22,500 / 33,750	647	2	PG3660BA36
Solid Bottom	19 1/2"	22	22,500 / 33,750	479	4	PG3660DA19
	24 1/2"		22,500 / 33,750	495	3	PG3660DA24
	31 1/2"		22,500 / 33,750	590	2	PG3660DA31
	36 1/2"		22,500 / 33,750	738	2	PG3660DA36

To order boxes with 2 standard mouseholes, replace the letter "A" with the letter "B".

QUAZITE