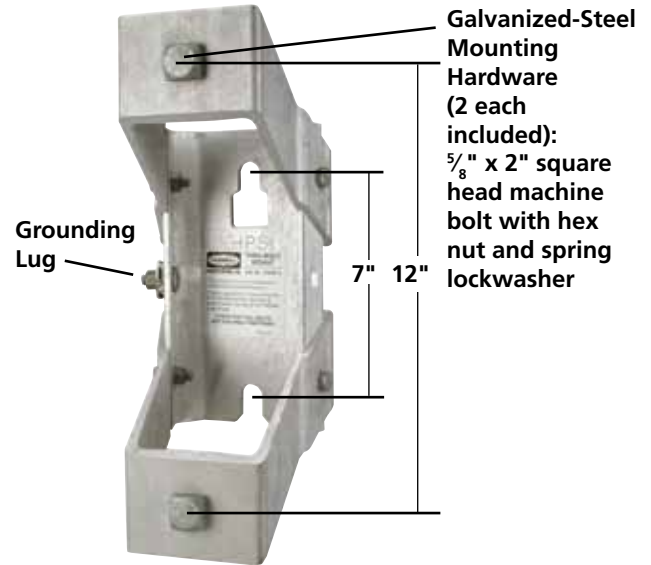


Brackets, Transformer, Single Position, Bolted Pole Mounting for Transformer, Recloser or Sectionalizer with NEMA A, B or *C lugs

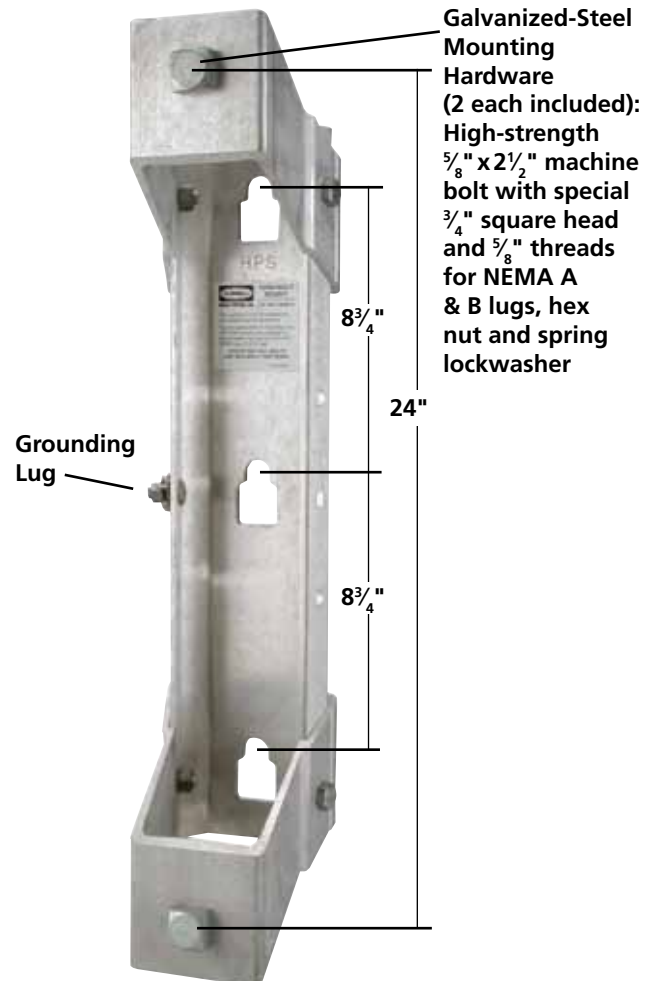
- For mounting one 3kVA - 50kVA Transformer, Recloser or Sectionalizer with NEMA A lugs
- Maximum capacity is 2,000 lb.
- Mounts to pole with two 5/8" thru-bolts (not included)
- Illustrated instructions included with each unit

Catalog No.	Mounting Distance from Pole	Weight
CTB2M16	6"	7.2 lb./3.3 kg.
CTB2M19	9"	8.3 lb./3.8 kg.



- For mounting one 3kVA - 100kVA Transformer, Recloser or Sectionalizer with NEMA A or B lugs (Readily field adapts for NEMA A lugs.)
- *For mounting one 167kVA - 333kVA Transformer, Recloser or Sectionalizer with NEMA C lugs, add two C321A adapter plates*
- Maximum capacity is 2,000 lb. with two thru-bolts and 3,000 lb. with three thru-bolts
- Mounts to pole with two or three 3/4" thru-bolts (not included)
- Illustrated instructions included with each unit

Catalog No.	Mounting Distance from Pole	Weight
CTB5M16	6"	12.1 lb./5.5 kg.
CTB5M19	9"	13.7 lb./6.2 kg.



*Optional, for mounting one transformer, recloser or sectionalizer with NEMA Type C lugs (see Catalog page 5B-4)

Catalog No.	Description	Weight, each
C321A	*Adapter Plate (two required) for use with CTB5M16 or CTB5M19	4 lb./1.8 kg.