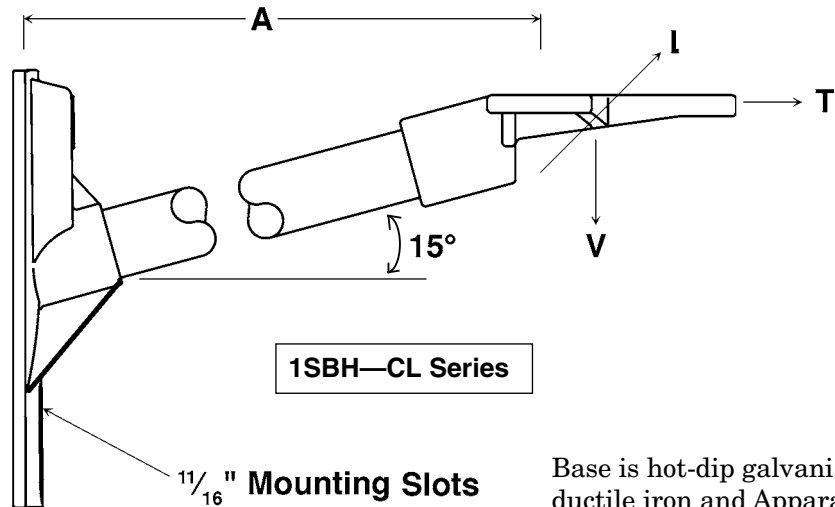
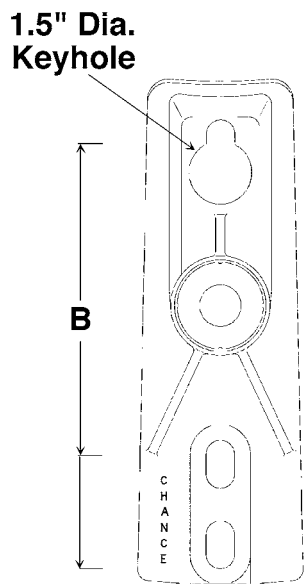
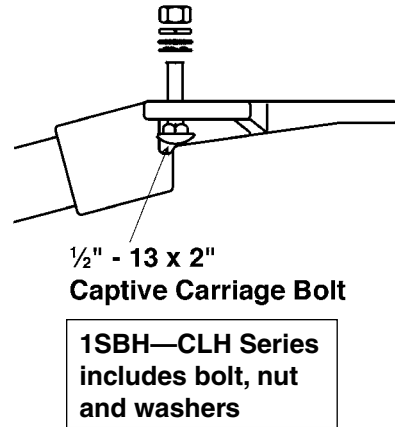
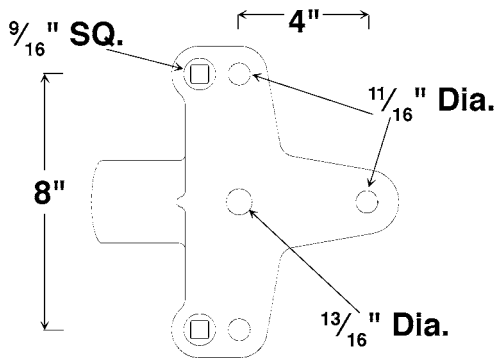


3 Position (Cloverleaf) Single-Phase Cutout / Arrester Bracket



Base is hot-dip galvanized ductile iron and Apparatus Ferrule is aluminum alloy.

B Dimension is 8" & 10"

Catalog Number	Length A	Minimum Ultimate*			Weight (Each)
		Vertical V	Longitudinal L	Transverse T	
Heavy Duty 2" (51 mm) Dia. Rod					
1SBH18CL	18" (45.7 cm)	2250 lbs. (1013 kg)	1400 lbs. (630 kg)	10000 lbs. (4500 kg)	10.6 lbs. (4.8 kg)
1SBH21CL	21" (53.3 cm)	2000 lbs. (900 kg)	1250 lbs. (563 kg)	10000 lbs. (4500 kg)	11.2 lbs. (5 kg)
1SBH24CL	24" (61 cm)	1750 lbs. (788 kg)	1100 lbs. (495 kg)	10000 lbs. (4500 kg)	11.9 lbs. (5.4 kg)
1SBH18CLH	18" (45.7 cm)	2250 lbs. (1013 kg)	1400 lbs. (630 kg)	10000 lbs. (4500 kg)	10.6 lbs. (4.8 kg)
1SBH21CLH	21" (53.3 cm)	2000 lbs. (900 kg)	1250 lbs. (563 kg)	10000 lbs. (4500 kg)	11.2 lbs. (5 kg)
1SBH24CLH	24" (61 cm)	1750 lbs. (788 kg)	1100 lbs. (495 kg)	10000 lbs. (4500 kg)	11.9 lbs. (5.4 kg)

*Recommended maximum working load is 50% of minimum ultimate ratings listed.
Consult factory for additional lengths.