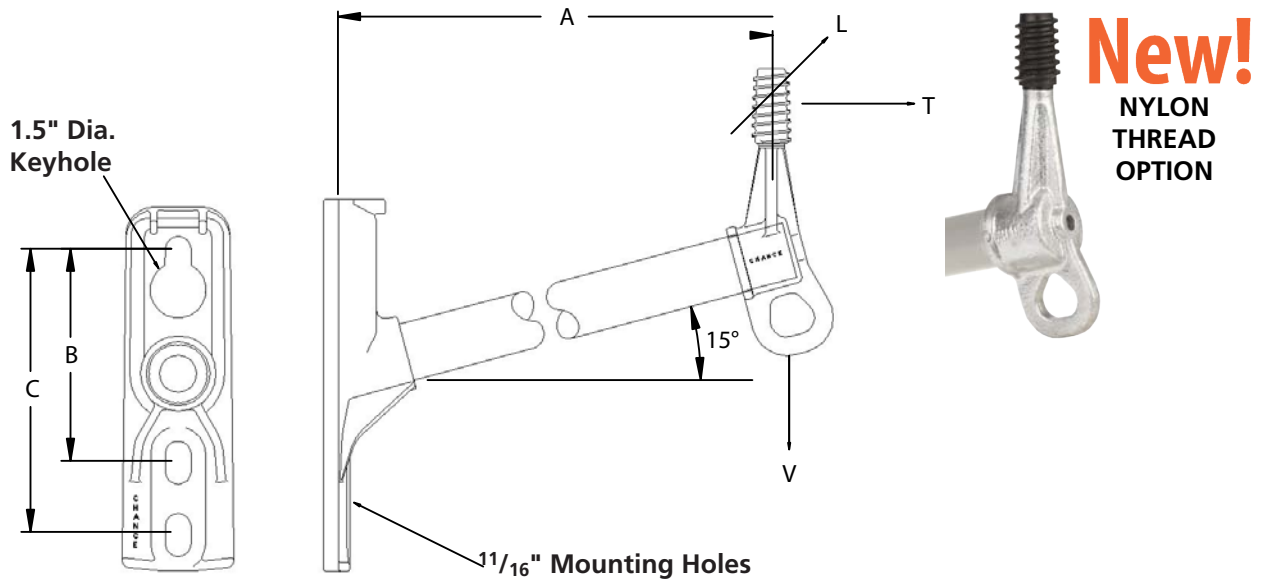


Single-Phase Vertical Pin Standoff Bracket



B Dimension is 6" for 1SBM series and 8" for 1SBH series
 C Dimension is 8" for 1SBM series and 10" for 1SBH series

Base and Insulator Ferrule are hot-dip-galvanized ductile iron.

Catalog Number	Length A	Minimum Ultimate*			Weight (Each)
		Vertical V	Longitudinal L	Transverse T	
Medium Duty 1.5" (38 mm) Dia. Rod					
1SBM12V1	12" (30.5 cm)	1800 lbs. (810 kg)	1400 lbs. (630 kg)	2000 lbs. (900 kg)	6.8 lbs. (3.1 kg)
1SBM15V1	15" (38.1 cm)	1500 lbs. (675 kg)	1100 lbs. (495 kg)	2000 lbs. (900 kg)	7.2 lbs. (3.2 kg)
1SBM18V1	18" (45.7 cm)	1200 lbs. (540 kg)	950 lbs. (428 kg)	2000 lbs. (900 kg)	7.5 lbs. (3.4 kg)
1SBM21V1	21" (53.3 cm)	1000 lbs. (450 kg)	800 lbs. (360 kg)	2000 lbs. (900 kg)	7.9 lbs. (3.6 kg)
1SBM24V1	24" (61 cm)	900 lbs. (405 kg)	700 lbs. (315 kg)	2000 lbs. (900 kg)	8.3 lbs. (3.7 kg)
Heavy Duty 2" (51 mm) Dia. Rod					
1SBH12V1	12" (30.5 cm)	2550 lbs. (1148 kg)	2000 lbs. (900 kg)	2500 lbs. (1125 kg)	10 lbs. (4.5 kg)
1SBH18V1	18" (45.7 cm)	2250 lbs. (1013 kg)	1900 lbs. (855 kg)	2500 lbs. (1125 kg)	11.3 lbs. (5.1 kg)
1SBH20V1	20" (50.8 cm)	2250 lbs. (1013 kg)	1900 lbs. (855 kg)	2500 lbs. (1125 kg)	11.8 lbs. (5.3 kg)
1SBH24V1	24" (61 cm)	2100 lbs. (945 kg)	1850 lbs. (833 kg)	2500 lbs. (1125 kg)	12.7 lbs. (5.7 kg)
1SBH27V1	27" (68.6 cm)	1950 lbs. (878 kg)	1800 lbs. (810 kg)	2500 lbs. (1125 kg)	13.4 lbs. (6 kg)
1SBH30V1	30" (76.2 cm)	1800 lbs. (810 kg)	1750 lbs. (788 kg)	2500 lbs. (1125 kg)	14 lbs. (6.3 kg)

*Recommended maximum working load is 50% of minimum ultimate ratings listed.

ISB—V1 series has 1" plastisol coated threads

New! For 1" Nylon threads, replace the last "1" in number with "2"

For 1" lead threads, replace "V1" in number with "V3"

For 1.375" lead threads, replace "V1" in number with "V4"

Consult factory for additional lengths.

Add "SC" suffix to the end of the catalog number to denote Silicone Coated rod