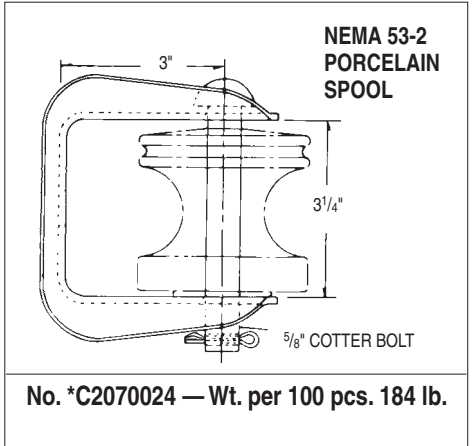
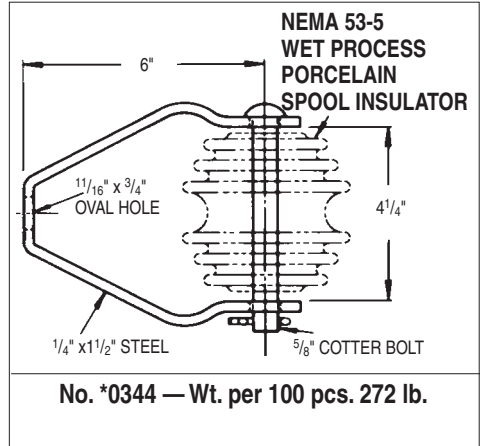
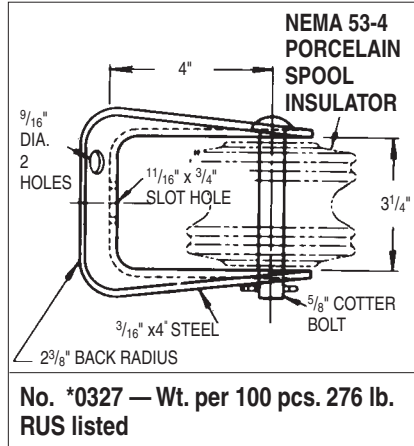
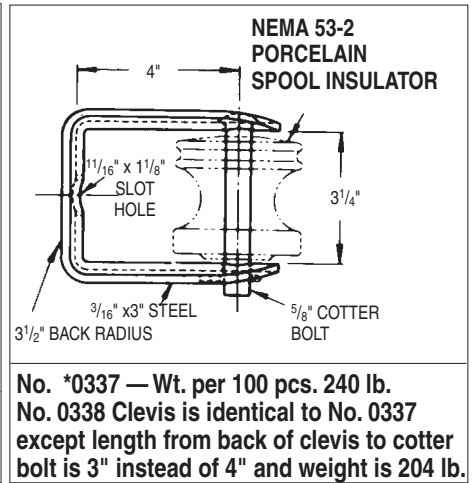
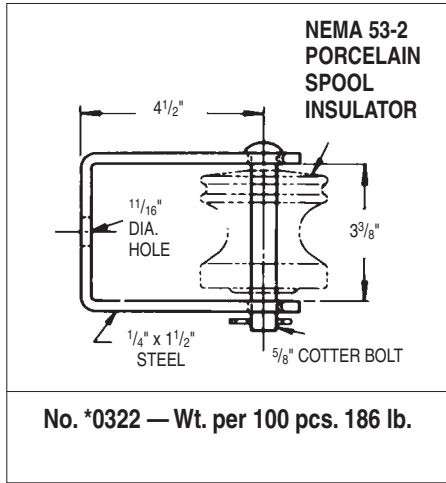
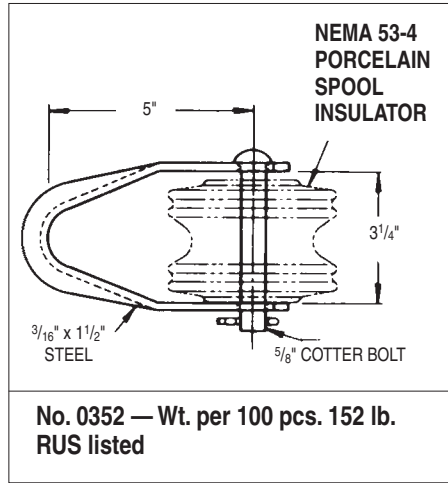


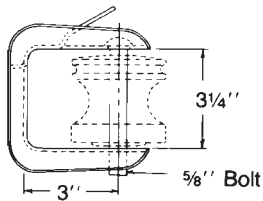
CLEVISES, INSULATED (Less Insulators)



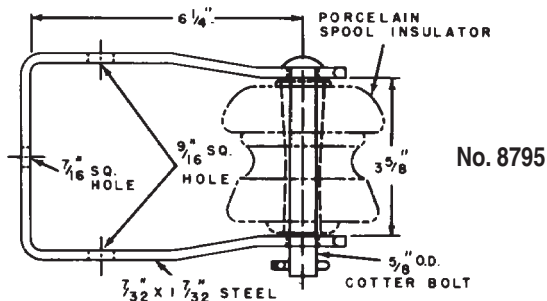
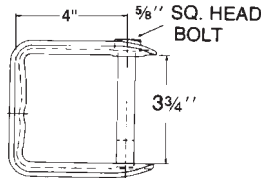
*NEMA Standard

CLEVISES, INSULATED (Less Insulators)

**NEMA 53-2
INSULATOR
No. C2070072**



**USE NEMA 53-3
INSULATOR
No. C2070116**



Sagger Bracket

Double duty bracket may be used to support conductor during stringing operations and then may be rotated upright to become a permanent clevis. Catalog Number C2070072 has same overall dimensions as C2070024 clevis.

Catalog No.	Description	Approx. Ship Wt. Lbs. Per 100 Pcs.
C2070072	Sagger Bracket - Less Insulator	140
C2070116	Sagger Bracket - Less Insulator	240

Crossarm Mounting Bracket

For attachment over crossarm with a 1/2" carriage bolt installed vertically through the arm, or a 3/8" lag screw.

Catalog No.	Description	Approx. Ship Wt. Lbs. Per 100 Pcs.
8795	Clevis - less insulator	192