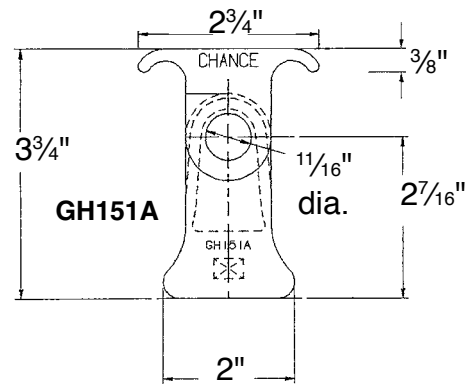
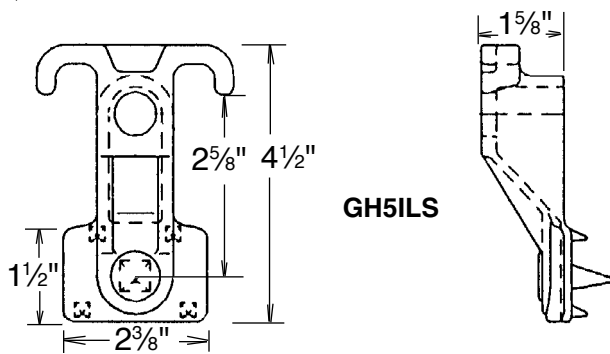
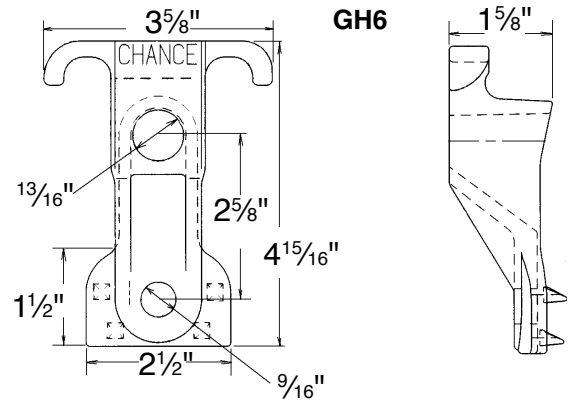


# GUY HOOK

Use in down or span guy applications. Spurs resist down slotting. The overturning action is resisted by the wide lower curved heal pad. Contact Factory about Guy Hooks for use on concrete and steel poles.

Catalog No.	Thru-Bolt Dia.	Max. Guy Strand Dia.	Lag Screw Dia.	Approx. Ship Wt. Lbs. Per 100 Pcs.
GH151A	5/8"	7/16"	None	62
† GH5	5/8"	7/16"	1/2"	88
GH5ILS	5/8"	7/16"	None	98
GH6	3/4"	1/2"	1/2"	88
GH6ILS	3/4"	1/2"	None	98
GH6X	7/8"	5/8"	1/2" or 3/4"	240
GH6XBILS	1"	5/8"	None	225

Suffix "ILS" indicates cast in integral lag  
 Ductile iron per ASTM A-536  
 Hot dipped galvanized per ASTM A-153  
 † RUS Listed



# GUY HOOK, SPAN TYPE

For guy attachment, use at angles 0° to 30° from horizontal.

Catalog No.	Max. Thru-Bolt Dia.	Max. Guy Strand Dia.	Approx. Ship Wt. Lbs. Per 100 Pcs.
GH2	5/8"	1/2"	66
GH3	3/4"	1/2"	64

Ductile iron per ASTM A-536  
 Hot dipped galvanized per ASTM A-153



# PIN, ANGLE

The crossarm corner pin is made of ductile iron, hot dip galvanized. Made with 1" lead threads for 1" thread insulators at an angle 60° from horizontal. Attached to the crossarm by means of a square head bolt, which is furnished as part of the pin.

Catalog No.	Crossarm Size	Pin Height Above Arm	Bolt Size	Thread Size	Approx. Ship Wt. Lbs. Per 100 Pcs.
PS8779	4"	5"	5/8" x 7"	1"	315
PBA841	4"	8 1/4"	5/8" x 7"	1"	541

Ductile iron per ASTM A-536  
 Hot dipped galvanized per ASTM A-153

