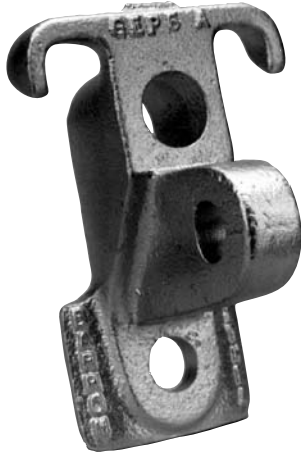
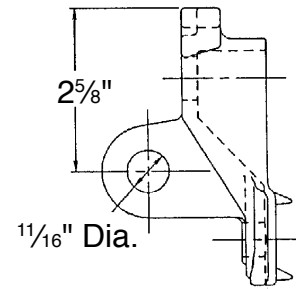
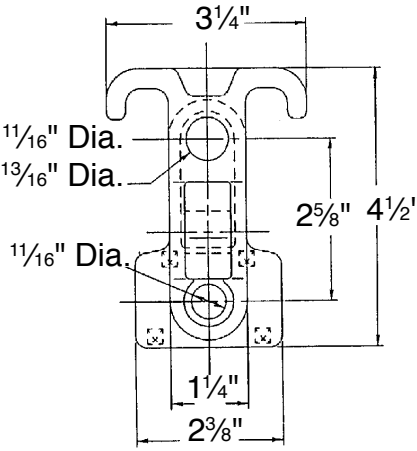


GEP5



GEP5: 1¹/₁₆" Dia.
 GEP5A: 1³/₁₆" Dia.

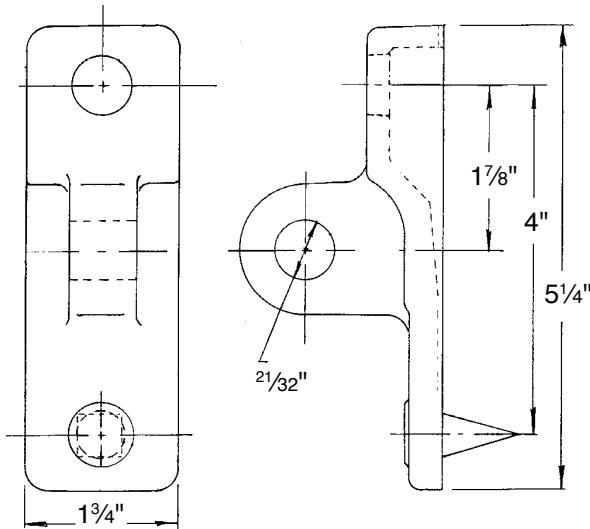


PLATE, POLE EYE

Allows guy loop to be made up on the ground as well as providing a clevis eye plate capability. Spurs prevent slippage down the pole. Contact Factory about eye plates for use on concrete and steel poles.

Catalog No.	Mounting Bolt Dia.	Max. Pin Diameter	Max. Strand Size	Approx. Ship Wt. Lbs. Per 100 Pcs.
GEP5	5/8"	5/8"	5/8"	175
GEP5A	3/4"	5/8"	5/8"	175

Ductile iron per ASTM A-536
 Hot dipped galvanized per ASTM A-153

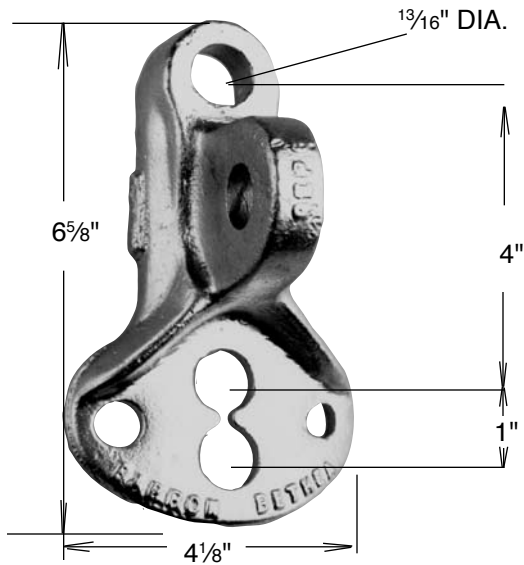


PLATE, POLE EYE

Narrow profile eye plate provides clevis eye with 5/8" maximum pin diameter.

Catalog No.	Mounting Bolt Diameter	Lag Screw Diameter	Max. Pin Diameter	Approx. Ship Wt. Lbs. Per 100 Pcs.
GEP5C	5/8"	1/2"	5/8"	155
GEP5D	3/4"	Integral Spur	5/8"	155
GEP5E	3/4"	1/2"	5/8"	155
GEP5G	3/4"	3/4"	5/8"	155

Ductile iron per ASTM A-536
 Hot dipped galvanized per ASTM A-153



PLATE, POLE EYE

GEP6 style eye plate provides large pad area to spread forces over pole surface. Ideal for guy strain insulator installation.

Catalog No.	Mounting Bolt Diameter	Maximum Pin Diameter	Approx. Ship Wt. Lbs. Per 100 Pcs.
GEP6	3/4"	3/4"	269

Ductile iron per ASTM A-536
 Hot dipped galvanized per ASTM A-153