

DESCRIPTION

The H995ICAT is a dedicated LED small aperture IC AIR-TITE™ housing for use with Halo RL4 Series LED modules. It is designed for use in insulated ceilings where it will be in direct contact with insulation*. It is an AIR-TITE™ housing designed to prevent air flow between occupied spaces and unconditioned areas.

Catalog #		Type
Project		
Comments		Date
Prepared by		

DESIGN FEATURES

Housings

- Double wall aluminum construction helps dissipate heat. The inner housing can be adjusted in the plaster frame to compensate for different ceiling materials.
- Designed for insulated ceilings in direct contact with insulation*. (May also be installed in non-insulated ceilings.)

Plaster Frame

- Galvanized steel die-formed construction.
- The inner housing can be removed from plaster frame to provide access to the junction box.
- Plaster frame features include:
 - Patented regressed locking screw positioned for securing hanger bars from below the ceiling.
 - Cutouts for easily crimping hanger bars in position.
 - AIR-TITE aperture gasket is pre-installed.
 - HALO identity embossed on plaster frame

Slide-N-Side™ Junction Box

- Positioned to accommodate straight conduit runs
- Seven 1/2" trade size conduit knockouts with true pry-out slots
- Slide-N-Side wire traps allow non-metallic sheathed cable to be installed without tools and without removing knockouts.
- Accepts a wide range of non-metallic (type NM) sheathed cables - the standard cable types used in lighting in both U.S. and Canada.
- Allows wiring connections to be made outside the junction box
- Simply insert the cable directly into the trap after connections are made.

- Accommodates the following standard non-metallic sheathed cable sizes: (US) #14/2, #14/3, #12/2, #12/3 (Canada) #14/2, #14/3, #12/2

"Quick Connect" Connectors

Three quick connect wiring connectors included.

GOT NAIL! Pass -N-Thru™ Bar Hangers

- Pre-installed nail easily installs in regular lumber, engineered lumber and laminated beams.
- Safety and guidance system prevents snagging, ensures smooth straight nail penetration and allows bar hangers to be easily removed if necessary.
- Automatic levelling flange aligns the housing and lets you hold the housing in place with one hand while driving nails.
- Housing can be positioned at any point within 24" joist span.
- Pass-N-Thru™ feature allows bar hangers to be shortened without removing from plaster frame.
- Score lines allow "tool-less" shortening for 12" joists.
- Integral T-bar clip snaps onto T-bars - no additional clips required

LED Module Connection

Halo LED RL4 Series modules simply install with a plug-in 120V line voltage wiring connector (UL and CSA Listed Luminaire Disconnect). This non-screw-base LED connection preserves the high efficacy rating of the luminaire (see also LED Module specifications).

Warranty

Cooper Lighting provides a five year limited warranty on Halo RL4 LED Luminaires which includes the LED Recessed Housing, and LED module.

Labels

- UL/cUL Listed 1598 Luminaire
- UL/cUL Listed for Damp Location
- UL/cUL Listed for Wet Location, with select trims
- UL/cUL listed for Feed Through
- UL/cUL listed for Direct Contact with insulation and combustible material*

Compliance

- Use with designated LED light engines and trims for ENERGY STAR® qualification.
- Can be used for State of California Title 24 high efficacy compliance with designated LED light engines and trims.
- Can be used for International Energy Conservation Code (IECC) high efficacy compliance with designated LED light engines and trims.
- Refer to H4 LED Light Engine and Trim specification sheets online for compliance information.

Qualification

- IC and AIR-TITE™ Certified under ASTM-E283 and listed UL/cUL 1598. May be used to meet insulated ceiling* and restricted air-flow requirements such as:
 - Washington State Energy Code
 - International Energy Conservation Code (IECC)
 - New York State Energy Conservation Construction Code (NY-ECCC)
 - State of California Title 24 "Recessed Luminaires in Insulated Ceilings."

* Not to be used in direct contact with spray foam insulation.



H995ICAT

4-Inch New Construction Insulated Ceiling AIR-TITE™ Recessed Housing
 For Halo LED Module RL4 Series
 High Efficacy LED Housing

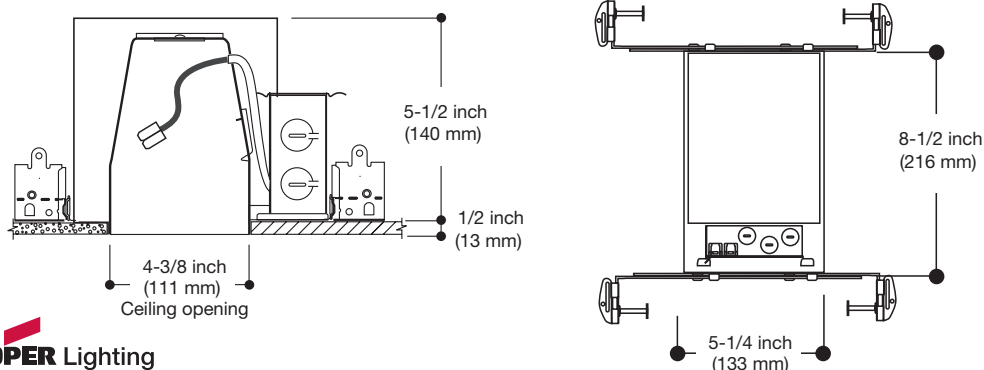
FOR USE IN INSULATED CEILINGS

FOR DIRECT CONTACT WITH INSULATION*

ALSO SUITABLE FOR NON-IC CEILINGS



DIMENSIONS



Qualified and compliant with select LED modules. Refer to ENERGY STAR® Qualified Products List and CEC (T24) Appliance Database for listings.

ORDERING INFORMATION

SAMPLE NUMBER: H995ICAT - RL406830WH

Complete unit includes Halo H995 series housing and RL4 LED.
Housing and RL4 LED to be ordered separately.

Housing

H995= 4" LED Housing with dedicated LED luminaire connector (high efficacy compliant)

ICAT= 4" Dedicated LED Insulated Ceiling, AIR-TITE New Construction Housing

RL4 LED Module*

RL406= 4" LED Retrofit Module, Dimmable, 120V

8= 80 CRI

30= 3000°K

WH= White Baffle and Trim Ring

SN= Satin Nickel Baffle and Trim Ring

*Refer to LED module specification sheet for additional information.

Note: Specifications and Dimensions subject to change without notice.

Visit our web site at www.cooperlighting.com

Customer First Center 1121 Highway 74 South Peachtree City, GA 30269 770.486.4800 FAX 770.486.4801
Cooper Lighting 5925 McLaughlin Rd. Mississauga, Ontario, Canada L5R 1B8 905.507.4000 FAX 905.568.7049