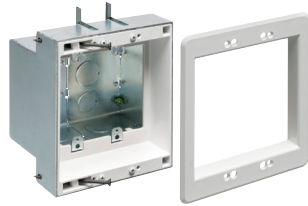
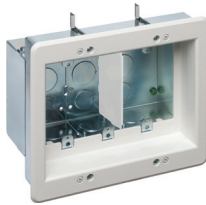


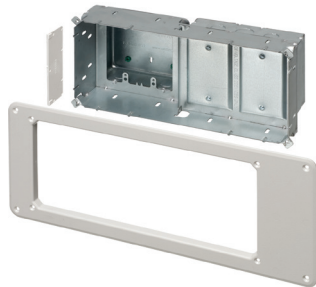
## Recessed Steel TV BOX™



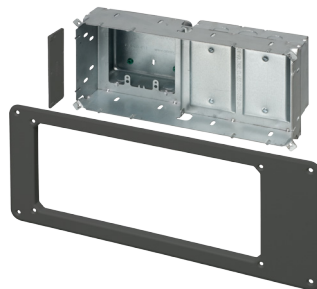
TVBS505



TVBS507



TVBS613



TVBS613BL

For new or existing construction. Metallic, recessed combo boxes for power and/or low voltage for class 2 wiring of satellite or cable TV, speakers, etc.

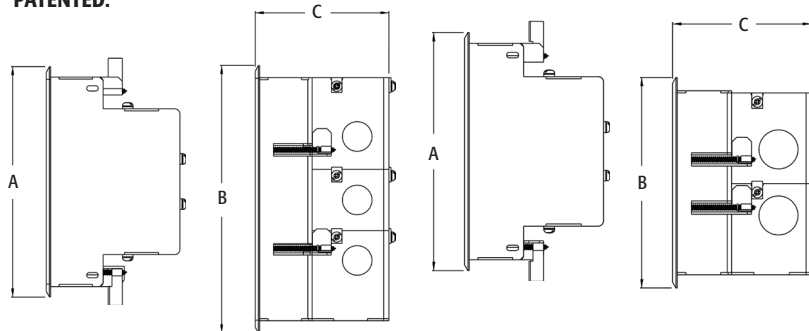
### FEATURES AND BENEFITS

- Steel box with non-metallic paintable white or black trim plate
- Easy to install, secure installation
- Mounting wings on two- and three-gang styles hold boxes securely against the wall in retrofit projects
- Boxes screw-mount to stud in new construction
- Optional covers for unused boxes

CATALOG NUMBER	UPC/DCI/NAED MFG #018997	DESCRIPTION	UNIT PKG	STD PKG	DIM A	DIM B	DIM C
TVBS505*	37955	2-Gang steel box w/ white non-metallic trim plate	1	4	6.818	6.698	3.937
TVBS505BL	20740	2-Gang steel box w/ black non-metallic trim plate	1	4	6.818	6.698	3.937
TVBS507*	37956	3-Gang steel box w/ white non-metallic trim plate	1	4	6.818	7.930	3.937
TVBS613	09633	4-Gang steel box with white non-metallic trim plate	1	1	7.000	17.000	3.848
TVBS613BL	09660	4-Gang steel box with black non-metallic trim plate	1	1	7.000	17.000	3.848
TVB613C	09631	4-Gang white cover	5	5	7.000	17.000	.127

\*Optional box covers available on page Q-3.

**PATENTED.**



### INSTALLATION INSTRUCTIONS



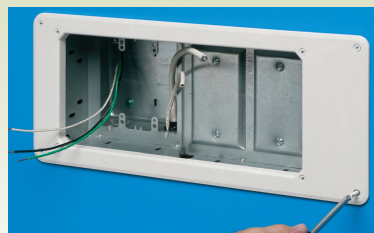
New Work

Attach box to stud using #6 screws. Pull wires.



Retrofit

Cut a hole using enclosure without trim plate, as template. Mounting wings hold box in wall.



After drywall is installed, add trim plate, then install enclosure assembly to wall with outer screws.



Finished install shot.

Scan For Video

