

BSPM_ _ _ S2G



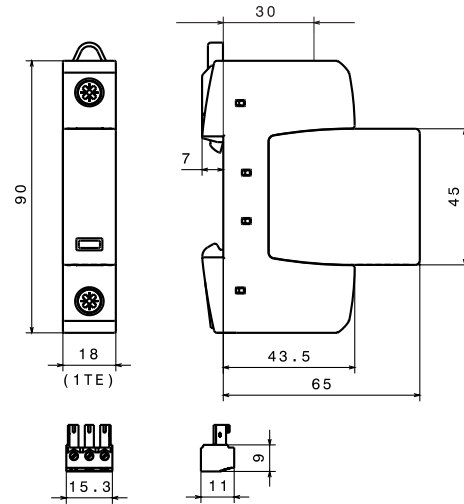
easyID™
Visual Status Indication



Remote Signal
Contact Available



Dimensions - mm



Shown with optional remote contact signaling

Specifications

Description

The Bussmann series single pole UL modular surge arresters for 120, 240 and 347Vac Single-phase systems feature local, easyID™ visual indication and optional remote contact signaling. The unique module locking system fixes the protection module to the base part. Modules can be easily replaced without tools by simply depressing the release buttons. Integrated mechanical coding between the base and protection module ensures against installing an incorrect replacement module.

Features

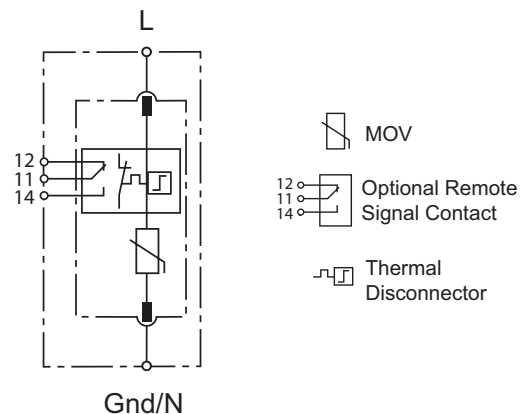
- Surge arrester according to UL 1449 3rd Edition, Type 2 Component Assembly helps meet UL 508A requirements
- Heavy-duty metal oxide varistors for high discharge capacity
- "Thermo Dynamic Control" SPD monitoring device ensures high reliability against surge events
- Module locking system with module release button makes module replacement easy without tools
- Up to 200kA Short-Circuit Current Rating (SCCR) makes higher *assembly* SCCR ratings possible
- Optional remote signaling of all protection modules makes status monitoring easy and accurate in any monitoring scheme
- No additional upstream overcurrent protection necessary to make installation easier and more economical
- Vibration and shock tested according to EN 60068-2 to withstand harsh environments

Optional remote signaling Form C contact

The remote signaling contact versions have a floating changeover contact for use as a break or make contact for easy adoption in any monitoring application.

Data Sheet: 2149

Circuit diagram



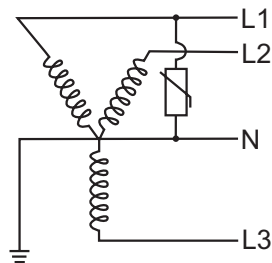
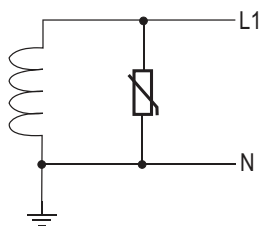
BSPM1120S2G, BSPM1240S2G, BSPM1347S2G

Shown with optional remote contact signaling

For remote signaling contact, add "R" suffix to the part number, E.g., BSPM1347S2GR

Ordering information			
Nominal system voltage		120Vac	240 and 277Vac
Maximum Continuous Operating AC Voltage (MCOV) [V _C]		275Vac	385Vac
Catalog numbers:	Without remote signaling	BSPM1120S2G	BSPM1240S2G
	With remote signaling	BSPM1120S2GR	BSPM1240S2GR
Replacement module	MOV technology	BPM275UL	BPM385UL
			BPM600UL
Specifications			
Rated voltage		120-127Vac	240-277Vac
Voltage Protection Rating VPR		1kV	1.5kV
Short-circuit Current Rating (SCCR)		200kA	200kA
Nominal discharge current (I _n)			20kA
Surge current capacity (I _{max})			40kA
Response time (t _A)			≤25ns
Frequency			50/60Hz
Number of poles			1
Number of wires/connection points			2 wires / 2 connection points
Operating temperature range			-40°C to +80°C
Operating state/fault indication			Green (good) / Red (replace)
Cross-sectional area (minimum)			14AWG - Cu stranded, solid or fine
Cross-sectional area (maximum)			2AWG - Cu solid or stranded / 4AWG - Cu fine
Terminal torque			45 lb-in
Mounting			35mm DIN-Rail per EN 60715
Enclosure material			Thermoplastic, UL 94V0
Degree of protection			IP20 (finger-safe)
Location category			Indoor
Capacity			1 module, DIN 43880
Application			UL Type 4 for Type 2 applications
Agency information			cURus, CSA, RoHS compliant
Standard			UL 1449, 3 rd Edition
Warranty			Five years*
Remote contact signaling			
Remote contact signaling type			Changeover contact
AC switching capacity (volts/amperes)			250V/0.5A
DC switching capacity (volts/amperes)			250V/0.1A; 125V/0.2A; 75V/0.5A
Conductor ratings and cross-sectional area for remote contact signal terminals			60/75°C Maximum 14AWG solid/stranded
Ordering information			Order from catalog numbers above

*See SPD Limited Warranty Statement (3A1502) for details at www.cooperbussmann.com/surge.



120, 240, 347Vac 2 wire systems

120, 277, 347Vac 2 wire Wye systems

Part numbers for all systems: BSPM1120S2G, BSPM1240S2G, BSPM1347S2G

See document 3A1636 for black label single-pole UL SCCR rated BSPM installation instructions.

Data Sheet: 2149