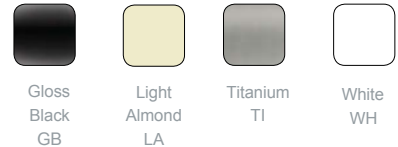




## System Features and Benefits

- Up to four sources per multi-source system
- Up to eight zones per multi-source system, with ability to expand
- Whole house control via universal remote and keypad
- High performance and standard systems
- Up to two local source inputs per keypad with Studio series
- Local source selectable via keypads
- Elegant, contemporary design
- Efficient installation via Cat 5 wiring

### COLORS



## RELATED PRODUCTS



AU5008-XX  
lyriQ Local Source  
Input



AU5009-XX  
lyriQ Keypad

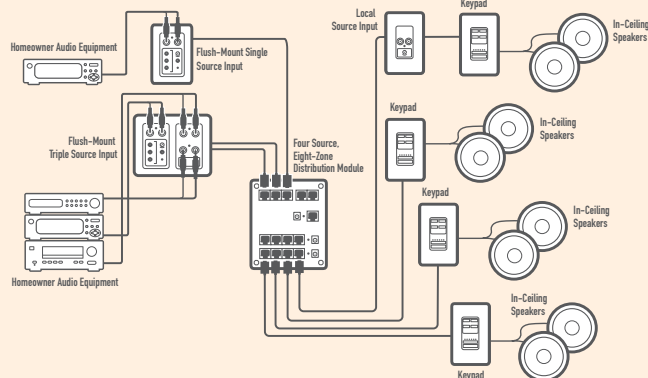


AU5010-XX  
lyriQ High Performance  
Keypad



AU5544-XX  
lyriQ Multi-Source, Four-Zone Kit

## WIRING DIAGRAM



### INSTALLATION AT-A-GLANCE lyriQ MULTI-SOURCE AUDIO SYSTEM

1. Run a single Cat 5 cable and 16/4 speaker wire to each location where a keypad will be installed.
2. Install each keypad in a standard single gang box and connect a pair of speakers to the keypad.
3. Install the multi-source distribution module in the On-Q enclosure and connect it to the keypads.
4. Run a Cat 5 cable from the module to each location where a flush-mount source input will be installed.
5. Install the flush mount inputs in standard single or double gang boxes and connect the Cat 5.
6. Connect the source to the input.

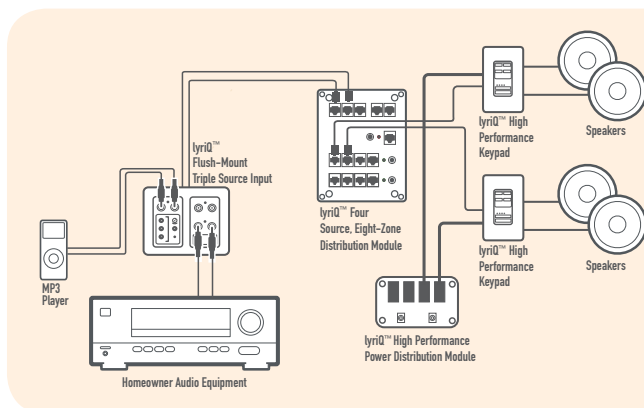


## ENTERTAINMENT/lyriQ™ Audio System

### lyriQ KITS

PRODUCT	PART #	DESCRIPTION												
<b>lyriQ High Performance Multi-Source, 6-Zone Kit in Studio Design</b>  	<b>AU5646-WH</b>	<p>With this lyriQ High Performance Audio Kit, homeowners can entertain in six different rooms or zones without missing a single riff. The kit includes six high performance keypads with 20 W per channel (class D) power and active subwoofer support.</p> <p><b>Kit Contains:</b></p> <table border="0"> <tr> <td><b>6 lyriQ High Performance Keypads with Studio Plates</b></td> <td><b>1 Remote</b></td> </tr> <tr> <td><b>2 High Performance Power Distribution Modules</b></td> <td><b>2 Dual IR Emitters</b></td> </tr> <tr> <td><b>1 lyriQ Flush Mount Single Source Input</b></td> <td><b>4 Power Supplies</b></td> </tr> <tr> <td><b>1 lyriQ Flush Mount Triple Source Input</b></td> <td><b>1 Single-Gang Studio Wall Plate</b></td> </tr> <tr> <td></td> <td><b>1 Double-Gang Studio Wall Plate</b></td> </tr> <tr> <td></td> <td><b>1 lyriQ Four Source, Eight-Zone Distribution Module</b></td> </tr> </table>	<b>6 lyriQ High Performance Keypads with Studio Plates</b>	<b>1 Remote</b>	<b>2 High Performance Power Distribution Modules</b>	<b>2 Dual IR Emitters</b>	<b>1 lyriQ Flush Mount Single Source Input</b>	<b>4 Power Supplies</b>	<b>1 lyriQ Flush Mount Triple Source Input</b>	<b>1 Single-Gang Studio Wall Plate</b>		<b>1 Double-Gang Studio Wall Plate</b>		<b>1 lyriQ Four Source, Eight-Zone Distribution Module</b>
<b>6 lyriQ High Performance Keypads with Studio Plates</b>	<b>1 Remote</b>													
<b>2 High Performance Power Distribution Modules</b>	<b>2 Dual IR Emitters</b>													
<b>1 lyriQ Flush Mount Single Source Input</b>	<b>4 Power Supplies</b>													
<b>1 lyriQ Flush Mount Triple Source Input</b>	<b>1 Single-Gang Studio Wall Plate</b>													
	<b>1 Double-Gang Studio Wall Plate</b>													
	<b>1 lyriQ Four Source, Eight-Zone Distribution Module</b>													
<b>lyriQ High Performance Multi-Source, 4-Zone Kit in Studio Design</b>  	<b>AU5644-WH</b>	<p>This lyriQ Kit is the perfect way to provide serious audiophile sound in a smaller package. Homeowners can enjoy high-fidelity audio from four different sources in four different rooms or zones, including the patio. The kit includes four high performance keypads with 20 W per channel (class D) power and active subwoofer support.</p> <p><b>Kit Contains:</b></p> <table border="0"> <tr> <td><b>4 lyriQ High Performance Keypads with Studio Plates</b></td> <td><b>1 Remote</b></td> </tr> <tr> <td><b>1 High Performance Power Distribution Module</b></td> <td><b>2 Dual IR Emitters</b></td> </tr> <tr> <td><b>1 lyriQ Flush Mount Single Source Input</b></td> <td><b>3 Power Supplies</b></td> </tr> <tr> <td><b>1 lyriQ Flush Mount Triple Source Input</b></td> <td><b>1 Single-Gang Studio Wall Plate</b></td> </tr> <tr> <td></td> <td><b>1 Double-Gang Studio Wall Plate</b></td> </tr> <tr> <td></td> <td><b>1 lyriQ Four Source, Eight-Zone Distribution Module</b></td> </tr> </table>	<b>4 lyriQ High Performance Keypads with Studio Plates</b>	<b>1 Remote</b>	<b>1 High Performance Power Distribution Module</b>	<b>2 Dual IR Emitters</b>	<b>1 lyriQ Flush Mount Single Source Input</b>	<b>3 Power Supplies</b>	<b>1 lyriQ Flush Mount Triple Source Input</b>	<b>1 Single-Gang Studio Wall Plate</b>		<b>1 Double-Gang Studio Wall Plate</b>		<b>1 lyriQ Four Source, Eight-Zone Distribution Module</b>
<b>4 lyriQ High Performance Keypads with Studio Plates</b>	<b>1 Remote</b>													
<b>1 High Performance Power Distribution Module</b>	<b>2 Dual IR Emitters</b>													
<b>1 lyriQ Flush Mount Single Source Input</b>	<b>3 Power Supplies</b>													
<b>1 lyriQ Flush Mount Triple Source Input</b>	<b>1 Single-Gang Studio Wall Plate</b>													
	<b>1 Double-Gang Studio Wall Plate</b>													
	<b>1 lyriQ Four Source, Eight-Zone Distribution Module</b>													
<b>lyriQ Multi-Source, 4-Zone Kit in Studio Design</b>  	<b>AU5544-WH</b> <b>AU5544-LA</b>	<p>This lyriQ Audio Kit lets homeowners enjoy four music sources throughout their home. Its Cat 5 backbone allows whole house commands and it easily integrates with the Broadcast or Selective Call Intercom Systems. It passes Infrared remote control signals for easy sound management and, because it's Cat 5-based, installation is simple.</p> <p><b>Kit Contains:</b></p> <table border="0"> <tr> <td><b>4 lyriQ Keypads with Studio Plates</b></td> <td><b>1 Remote</b></td> </tr> <tr> <td><b>1 lyriQ Local Source Input with Studio Plate</b></td> <td><b>2 Dual IR Emitters</b></td> </tr> <tr> <td><b>1 lyriQ Flush Mount Single Source Input</b></td> <td><b>1 Power Supply</b></td> </tr> <tr> <td><b>1 lyriQ Flush Mount Triple Source Input</b></td> <td><b>1 Single-Gang Studio Wall Plate</b></td> </tr> <tr> <td><b>1 lyriQ Four Source, Eight-Zone Distribution Module</b></td> <td><b>1 Double-Gang Studio Wall Plate</b></td> </tr> </table>	<b>4 lyriQ Keypads with Studio Plates</b>	<b>1 Remote</b>	<b>1 lyriQ Local Source Input with Studio Plate</b>	<b>2 Dual IR Emitters</b>	<b>1 lyriQ Flush Mount Single Source Input</b>	<b>1 Power Supply</b>	<b>1 lyriQ Flush Mount Triple Source Input</b>	<b>1 Single-Gang Studio Wall Plate</b>	<b>1 lyriQ Four Source, Eight-Zone Distribution Module</b>	<b>1 Double-Gang Studio Wall Plate</b>		
<b>4 lyriQ Keypads with Studio Plates</b>	<b>1 Remote</b>													
<b>1 lyriQ Local Source Input with Studio Plate</b>	<b>2 Dual IR Emitters</b>													
<b>1 lyriQ Flush Mount Single Source Input</b>	<b>1 Power Supply</b>													
<b>1 lyriQ Flush Mount Triple Source Input</b>	<b>1 Single-Gang Studio Wall Plate</b>													
<b>1 lyriQ Four Source, Eight-Zone Distribution Module</b>	<b>1 Double-Gang Studio Wall Plate</b>													

### WIRING DIAGRAM



#### INSTALLATION AT-A-GLANCE lyriQ HIGH PERFORMANCE AUDIO SYSTEM

1. Run a Cat 5 cable and a 16/4 speaker wire from the On-Q enclosure to a single gang box at each location where a keypad will be installed.
2. Install each lyriQ High Performance Keypad in a single gang box after connecting a pair of speakers to each keypad with 16/2 speaker wire.
3. Install the lyriQ Four Source Eight-Zone Distribution Module and the lyriQ High Performance Power Module in the On-Q enclosure.
4. Connect the Cat 5 cables from the keypads to the lyriQ Four Source Eight-Zone Distribution Module and 16/4 wire from the keypads to the lyriQ High Performance Power Module in the On-Q enclosure.
5. Run a pair of Cat 5 cables from the lyriQ Four Source Eight-Zone Distribution Module to a two-gang box containing the lyriQ Flush-Mount Triple Source Input and connect any audio sources to the lyriQ Flush-Mount Triple Source Input with RCA cables.