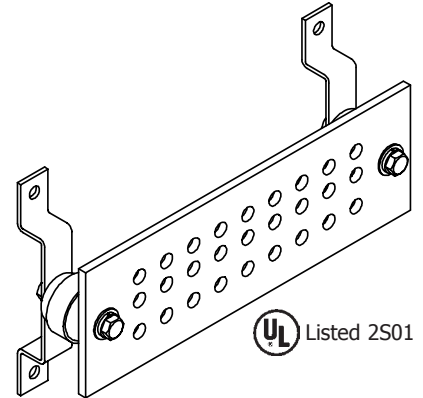


## GBI Ground Bars

### "J" Pattern

Part No.	Bar Size	Hole Pattern	No. of Holes	Approx. Wt. (lbs.)
GBI1446J	1/4" x 4" x 6"	J	9	3
GBI14412J	1/4" x 4" x 12"	J	27	5
GBI14416J	1/4" x 4" x 16"	J	39	7
GBI14420J	1/4" x 4" x 20"	J	51	8
GBI14424J	1/4" x 4" x 24"	J	63	9

- Mounting holes not included in total.
- Accommodates "B", "C" and "D" spaced two hole lugs (3/4", 1" and 1-3/4" on center).
- 12" bar pictured. Holes are 7/16" diameter.
- Manufactured from electrolytic tough pitch 110 alloy copper bar.
- Bars available electro-tin plated. When ordering, add prefix T to part number.
- Other sizes available. Contact factory for details.



### "M" Pattern

Part No.	Bar Size	Hole Pattern	No. of Holes & Slots	Approx. Wt. (lbs.)
GBI1446M	1/4" x 4" x 6"	M	24	3
GBI14412M	1/4" x 4" x 12"	M	48	5
GBI14416M	1/4" x 4" x 16"	M	70	7
GBI14420M	1/4" x 4" x 20"	M	88	8
GBI14424M	1/4" x 4" x 24"	M	106	9

- Mounting holes not included in total.
- Accommodates "B" and "C" spaced two hole lugs (3/4" and 1" on center).
- 12" bar pictured. Holes are 3/8" diameter and slots are 3/8" x 5/8".
- Manufactured from electrolytic tough pitch 110 alloy copper bar.
- Bars available electro-tin plated. When ordering, add prefix T to part number.
- Other sizes available. Contact factory for details.

