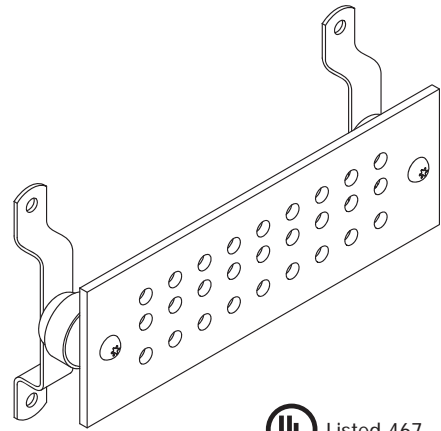


**GBI Ground Bars****"J" Pattern**

| Part No.  | Bar Size        | Hole Pattern | No. of Holes | Approx. Each Wt. (lbs.) |
|-----------|-----------------|--------------|--------------|-------------------------|
| GBI1446J  | 1/4" x 4" x 6"  | J            | 9            | 3                       |
| GBI14412J | 1/4" x 4" x 12" | J            | 27           | 5                       |
| GBI14416J | 1/4" x 4" x 16" | J            | 39           | 7                       |
| GBI14420J | 1/4" x 4" x 20" | J            | 51           | 8                       |
| GBI14424J | 1/4" x 4" x 24" | J            | 63           | 9                       |

- Mounting holes not included in total No. of Holes.
- Accommodates "B", "C" and "D" spaced two hole lugs (3/4", 1" and 1-3/4" on center).
- 12" bar pictured. Holes are 7/16" diameter.

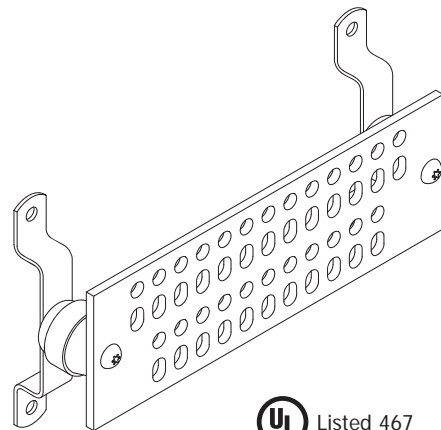


UL Listed 467

**"M" Pattern**

| Part No.  | Bar Size        | Hole Pattern | No. of Holes | Approx. Each Wt. (lbs.) |
|-----------|-----------------|--------------|--------------|-------------------------|
| GBI1446M  | 1/4" x 4" x 6"  | M            | 16           | 3                       |
| GBI14412M | 1/4" x 4" x 12" | M            | 48           | 5                       |
| GBI14416M | 1/4" x 4" x 16" | M            | 68           | 7                       |
| GBI14420M | 1/4" x 4" x 20" | M            | 88           | 8                       |
| GBI14424M | 1/4" x 4" x 24" | M            | 112          | 9                       |

- Mounting holes not included in total No. of Holes.
- Accommodates "B" and "C" spaced two hole lugs (3/4" and 1" on center).
- 12" bar pictured. Holes are 7/16" diameter and slots are 7/16" x 11/16".



UL Listed 467

**NOTES:**

- Manufactured from electrolytic tough pitch copper alloy 110.
- Bars available electro-tin plated. When ordering, add prefix T to part number.
- Other sizes available. Please contact factory for more information.