

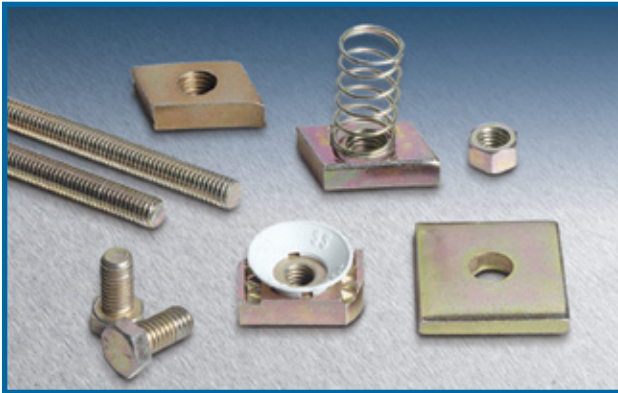
Channels, Nuts and Fittings

Channel Nuts

Kindorf® Channel Nuts are manufactured from mild steel and are case hardened.

Design Data

Kindorf® self-aligning channel nuts are designed to provide resistance to pull out and resistance to side slip in excess of the full strength of the channels with which they are used. The extreme resistance to side slip results from the unique design of the alternate teeth, spaced and designed to develop a wedging action that increases with pressure or load.



Load Ratings of Steel Channel and Insert Nuts

(B-910-1/2 or B-911-1/2) when used in slot of 12 ga. Kindorf® channel and tightened to a torque of 50 ft. Pounds are as follows:

Withdrawal resistance to pull out safe-load rating = 1,600 lbs.
Slip resistance safe-load rating = 400 lbs.

(B-910-1/2 or B-912-1/2) when used in slot of 14 ga. Kindorf channel and tightened to a torque of 50 ft. Pounds are as follows:

Withdrawal resistance to pull out safe-load rating = 1,300 lbs.
Slip resistance safe-load rating = 400 lbs.

Load ratings are based on safety factor of 3.

BC-910 Universal Cone Nut

Eliminates the inventory and installation hassles of conventional spring nuts. Fits all 1½" channel, regardless of depth, with a simple twist of your thumb. Pliable nylon cone secures the nut in place through the entire range of construction site temperatures.

Screw Threads

THREAD SIZE	B	J	C	D
Threads per inch	20	18	16	13
Design Torque (ft.-lbs.)	6	11	19	50

All threaded products are American Standard thread, free fit class 2.

Galv-Krom® hardware finish is standard for all Superstrut products. This is a multi-process finish of electro-plated zinc, followed by gold-colored trivalent chromium finish to give excellent corrosion resistance and a superior paint base.

Standard Finish – Galv-Krom®, unless otherwise stated.

Trapnut® Strut Fastener



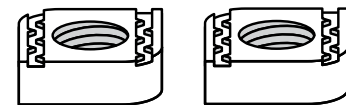
H 122 3/8
Trapnut® Strut
Fastener Galv-Krom®



H 122 3/8 EG
Trapnut® Strut
Fastener SilverGalv®

CAT. NO.	DESCRIPTION	SIZE (IN.)	DESIGN LOAD LBS.	STD. CTN.
H 122 1/4	¼" Galv-Krom®	¼"	150	50
H 122 3/8	¾" Galv-Krom®	¾"	590	50
H 122 1/2	½" Galv-Krom®	½"	1,080	50
H 122 1/4 EG	¼" SilverGalv®	¼"	150	50
H 122 3/8 EG	¾" SilverGalv®	¾"	590	50
H 122 1/2 EG	½" SilverGalv®	½"	1,080	50
H 122 1/4 SS6	¼" Type 316 Stainless Steel	¼"	150	50
H 122 3/8 SS6	¾" Type 316 Stainless Steel	¾"	590	50
H 122 1/2 SS6	½" Type 316 Stainless Steel	½"	1,080	50

Channel Nuts — Standard Finish: Galv-Krom® B-910 Series



For use with all Kindorf® channels

CAT. NO.	SIZE (IN.)	THICKNESS (IN.)	WT. LBS./C
B 910 1/4	¼–20	⅜	7.5
B-910-5/16	⅝–18	⅝	7.3
B-910-3/8	¾–16	⅝	9.15
B-910-1/2	½–13	¾	9.9

Load Ratings for B-910 Strut Nuts

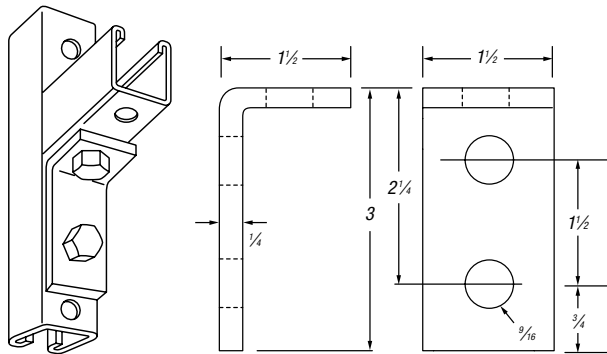
CHANNEL NUT SIZES	SLIP TEST RATING	PULL TEST RATING (IN.)
¼"	300	500
¾"	750	1000
½"	1,200	2000

If connections will be subjected to dynamic or seismic loading conditions, contact the factory for design assistance.

- All ratings have safety factor of 3 applied.
- Load ratings are for Static Applications.

Channels, Nuts and Fittings

B-915 Two-Hole Angle Connector

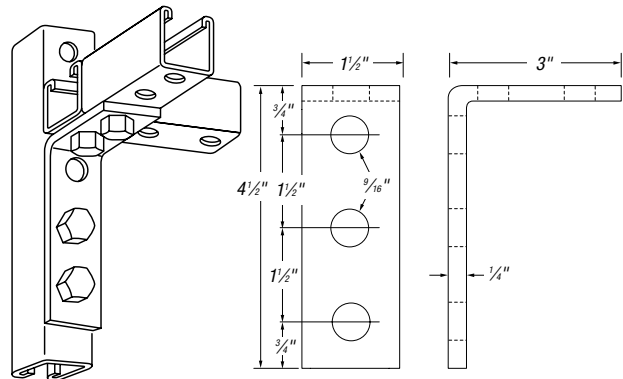


Can also be used as side-beam connector to suspend 1/2" hanger rod.

CAT. NO.	FINISH
B 915	Galv-Krom®
B-915EG	Electro-Galvanized
B-915HD	Hot-Dipped Galvanized

1/4" steel. 39 lbs./C.

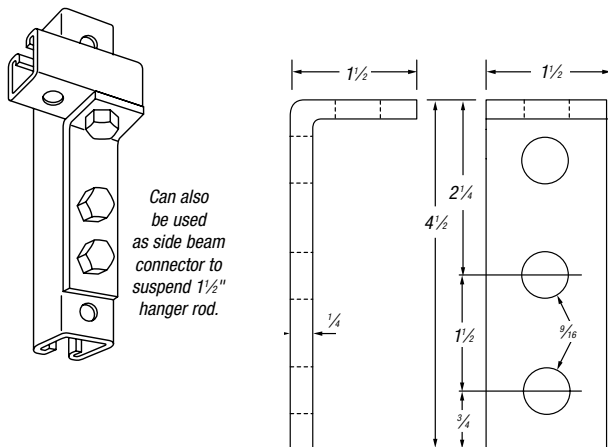
B-917 Five-Hole Angle Connector



CAT. NO.	FINISH
B 917	Galv-Krom®
B-917EG	Electro-Galvanized
B-917HD	Hot-Dipped Galvanized

1/4" steel. 68 lbs./C.

B-916 Three-Hole Angle Connector

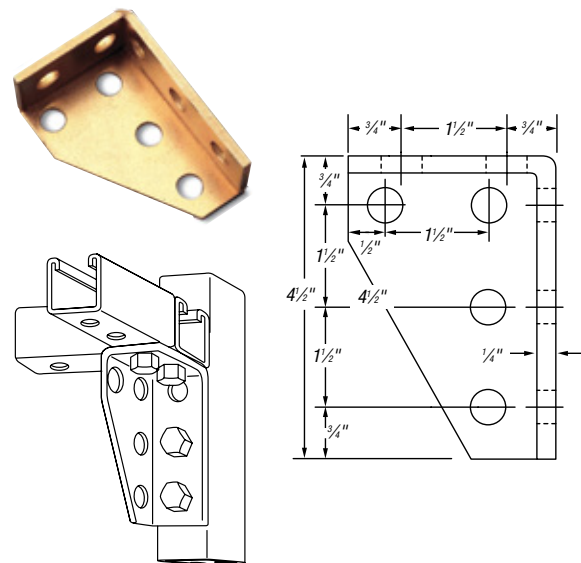


Can also be used as side beam connector to suspend 1 1/2" hanger rod.

CAT. NO.	FINISH
B 916	Galv-Krom®
B-916HD	Hot-dipped galvanized

1/4" steel. 46 lbs./C.

B-918 Left-Hand Gusset Connector



CAT. NO.	FINISH
B 918	Galv-Krom®
B-918EG	Electro-Galvanized

12 Ga. and 1/4" steel. 102 lbs./C.