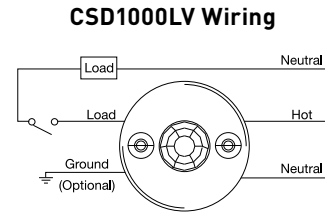
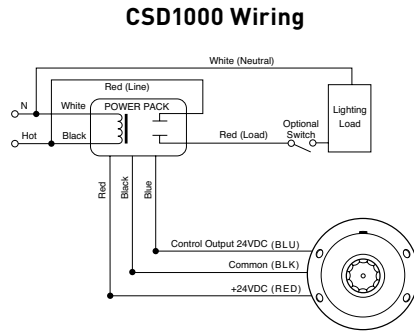
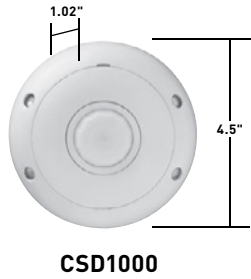


OCCUPANCY & VACANCY SENSORS & TIMERS

Commercial Occupancy Sensors Dual Technology Ceiling Mount



Features

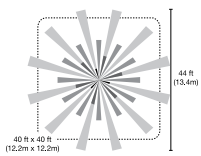
- Advanced control logic based on RISC microcontroller provides:
 - Detection signature processing eliminates false triggers and provides immunity to RFI and EMI.
- Walk-through mode turns off three minutes after the area is initially occupied – ideal for brief visits such as mail delivery.
- Simple, one-step setup.
- Ultrasonic diffusion technology spreads coverage to a wider area (patented).
- LEDs indicate occupancy detection.
- Four occupancy logic options give users the ability to customize control to meet application needs.
- Ultrasonic frequency of 40 kHz.
- Time delays: automatic, fixed (5, 10, 15, 20, or 30 minutes), walk-through, test-mode.
- Sensitivity adjustment: reduce sensitivity (for PIR sensitivity); ultrasonic sensitivity is variable with trimpot.
- Multi-level, 360° Fresnel lens for superior occupancy detection.
- Mounting options: ceiling tile; 4 square junction box with double gang mudring.
- Units per power pack: up to 4.
- cULus listed.
- 5-year warranty.

CATALOG NUMBER	DESCRIPTION	RATING	COVERAGE	VERRIDE AND OUTPUT DISABLE	COLOR
LOW-PROFILE CEILING MOUNT SENSORS					
CSD1000	Dual Technology Occupancy Sensor	24VDC input, requires Power Pack 35mA	360°, 1000 sq. ft. Two-sided	Yes	White
CSD1000LV*	Dual Technology Occupancy Sensor	0-800W Ballast/Tungsten @ 120V 0-1200W Ballast @ 277V 0-1500W Ballast @ 347V	360°, 1,000 sq. ft.	Yes	White

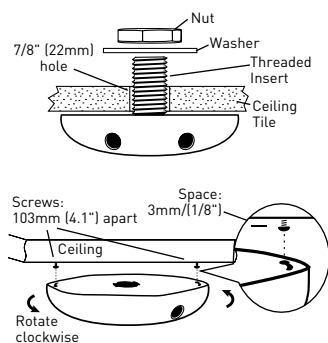
Reference Page K-20 for Power Packs.

*Does not require power pack.

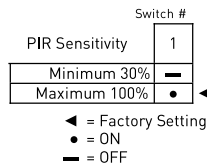
Coverage



Mounting



DIP Switch Settings



Occupancy Logic	Trigger	Initial Occupancy	Maintain Occupancy	Re-trigger	Switch #	
					2	3
Standard	Both	Either	Either	•	•	◀
Option 1	Either	Either	Either	•	•	◀
Option 2	PIR	Either	Either	•	•	◀
Option 3	Both	Both	Both	•	•	◀

Time Delay	Switch #			
	4	5	6	7
15 sec	•	•	•	•
2 min	—	•	•	•
4 min	•	•	•	•
6 min	—	—	•	•
8 min	•	•	—	•
10 min	•	•	—	•
12 min	•	—	—	•
14 min	—	—	—	•
16 min	•	•	—	—
18 min	—	•	•	—
20 min	•	•	—	—
22 min	—	—	•	—
24 min	•	•	—	—
26 min	•	•	—	—
28 min	•	—	—	—
30 min	—	—	—	—

Override	Switch #
	8
On	•
Off	—

Technical Specifications on Page R-187.