

Incandescent Floodlights

Applications:

- RCDE Incandescent Lighting Luminaires are permanently installed to provide general illumination in locations having hazardous atmospheres, such as:
- Oil refineries
 - Oil and gasoline loading docks
 - Aircraft servicing docks and shelters
 - Distilleries
 - Paint manufacturing plants
 - Pumping stations
 - Other Class I, Groups C and D locations

Features:

- RCDE Incandescent Lighting Luminaires have fixed mountings as follows:
- RCDE-6 – junction box base with four mounting feet or 2" threaded hub (fill sealing chamber with Chico® A after conductors are in place)
 - RCDE-6 adjustment allows rotation of 360° horizontally and 75° vertically
 - Locking screws hold housing firmly in position
 - RCDE-10 – junction box base with four mounting feet
 - Door which threads into housing includes heat- and impact-resistant lens; door has notches or holes provided for ease of removing or tightening
 - Factory wired leads through explosionproof seal to junction box
 - Adjustment that allows rotation of 360° horizontally and 135° vertically; locking bolts or clamps hold housing firmly in position

Certifications and Compliances:

- NEC/CEC:
 - RCDE – Class I, Division 1 and 2, Groups C, D; Class I, Zone 1 (see photometric data listing)
- UL Standard: 844
- CSA Standard: C22.2 No. 137 (RCDE6 only)

CEC/CSA Certified RCDE-6 - Eaton's Crouse-Hinds Canada luminaires only.

Standard Materials:

- Body – copper-free aluminum
- Lens – glass-, heat- and impact-resistant

Standard Finishes:

- Natural

Size Ranges:

- RCDE – fixed mounting – 3/4" hubs

Capacity Ranges:

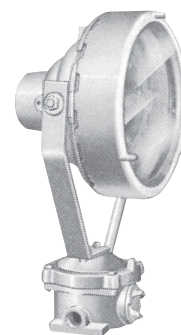
- RCDE-6 – 150 watt, PAR38 or R40; 300 watt, R40 (medium base)
- RCDE-10 – 500 watt, PAR64 Ext. Mog End Prong

Ordering Information:

After identifying the hazardous area, select the model of lighting luminaire required for that area. Then from the photometric data, select appropriate Cat. No. based on type of mounting desired (Example: RCDE-10 No. 47282).



| RCDE-6 | |
|-------------------------------------|--------|
| Description | Cat. # |
| Junction box base (2" threaded hub) | 44978A |
| Junction box base (4 mtg. feet) | 44719B |



| RCDE-10 | |
|---------------------------------|--------|
| Description | Cat. # |
| Junction box base (4 mtg. feet) | 47282A |

Temperature Performance Data:
(based on 40°C Ambient)

| | 150W | 300W | 500W |
|---------|------|------|------|
| RCDE-6 | T3B | T2B | |
| RCDE-10 | | | T3C |

6L

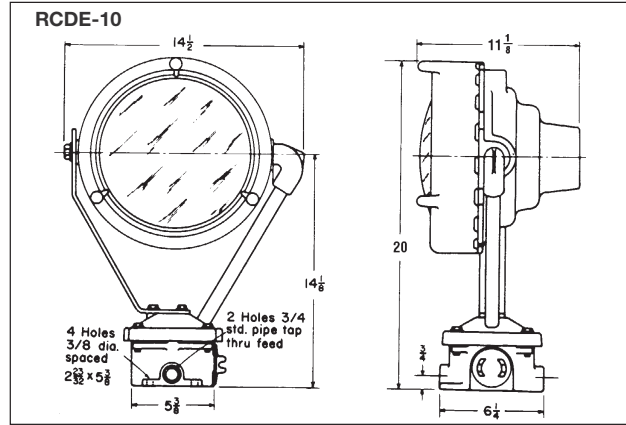
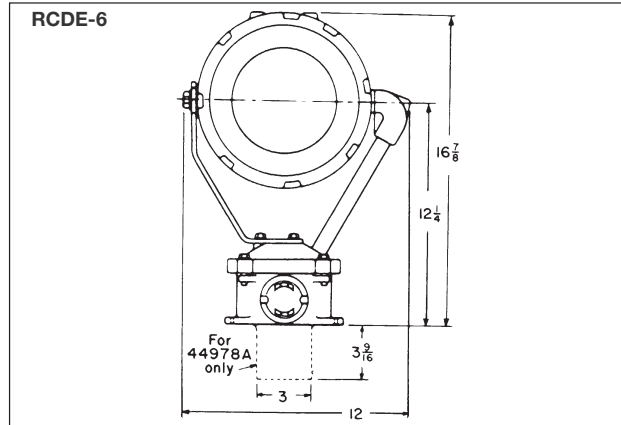
RCDE Series

Dimensions & Weights
Photometric Data
Cl. I, Div. 1 and 2, Group D
Explosionproof

6L

Incandescent Floodlights

Dimensions (In.):



Fixture Weights:

| Cat. # | Lbs. (Net) |
|----------------|------------|
| RCDE-6 | |
| 44719B | 21.0 |
| 44978A | 21.0 |
| RCDE-10 | |
| 47282A | 26.0 |

Photometric Data:

| Lamp Watts and Type | Location | Beam Spread | | Beam Lumens | Av. Max. Candle Power |
|---------------------------------|----------------------|-------------|-------|-------------|-----------------------|
| | | Hor. | Vert. | | |
| RCDE-6 | | | | | |
| 150 Watt PAR38 Flood | Class I, Groups C, D | 60° | 60° | 1690 | 4000 |
| 150 Watt PAR38 Spot | | 28° | 28° | 1200 | 11500 |
| 300 Watt* R40 Flood | Class I, Group D | 123° | 123° | 3200 | 1950 |
| 300 Watt R40 Spot | | 60° | 60° | 3100 | 8900 |
| RCDE-10 | | | | | |
| 500 Watt, PAR64 (500 PAR64/NSP) | Class I, Group D | 19° | 14° | 3000 | 110000 |
| 500 Watt, PAR64 (500 PAR64/MFL) | | 35° | 19° | 3300 | 37000 |
| 500 Watt, PAR64 (500 PAR64/WFL) | | 55° | 32° | 3400 | 13000 |

*CSA certified fixtures are for 150 watt lamp maximum.

79