



FDC 1 & 2 with lugs



FSOC Type



FSL Type

UL Standard: 514A
CSA Standard: C22.2 No. 18
Fed Spec: W-C-586D
NEMA: FB-1

Listed File No. E 3397

Certified File No. LR11852

FEATURES-SPECIFICATIONS

Applications

- Accommodates wiring devices and provides opening to splice, tap, or pull conductors
- Provide access to conductors for maintenance and future system changes

Features

- Tapered threads (NPT with integral bushings)
- Internal grounding screw
- Optional mounting feet available on FS, FD, FSC, and FDC
- Available single and two gang styles
- Suitable for use in wet locations when used with gasket covers
- Cast iron is suitable for concrete use
- For use with FS-style covers see pages F40-F42

Material/Finish

Copper-free Aluminum
(less than 4/10 of 1%)

- Electrostatically applied powder coating

Duraloy Iron

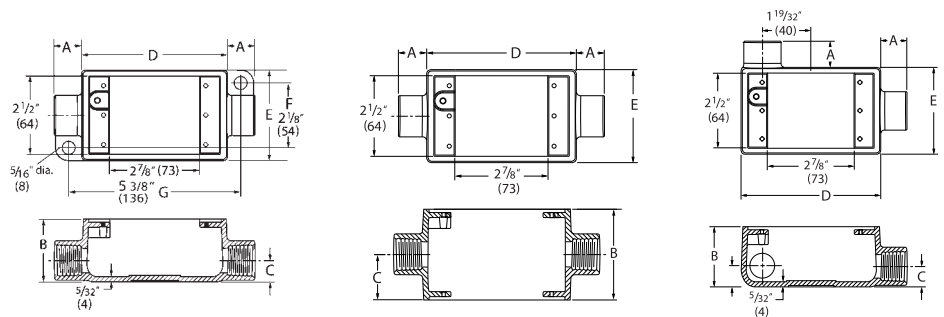
- Tri-coat finish of electrozinc, chromate sealant, and electrostatically applied powder coating

FDC TYPE CAST DEVICE BOX - DEEP - FEED THRU										
CATALOG NUMBER		HUB SIZE	DIMENSIONS							VOLUME CU. IN.
KILLARK ALUM.	DURALOY IRON		A	B	C	D	E	F	G	
FDC-1	FDC-1M	1/2"	7/8" (22)	2-7/8" (73)	11/16" (17)	4-5/8" (117)	2-7/8" (73)	2-1/8" (54)	5-3/8" (136)	28.5
FDC-2	FDC-2M	3/4"	7/8" (22)	2-7/8" (73)	11/16" (17)	4-5/8" (117)	2-7/8" (73)	2-1/8" (54)	5-3/8" (136)	28.5
FDC-3	FDC-3M	1"	7/8" (22)	2-7/8" (73)	11/16" (17)	4-5/8" (117)	2-7/8" (73)	2-1/8" (54)	5-3/8" (136)	28.5

FSOC TYPE CAST DEVICE OPEN BOX - SHALLOW - FEED THRU										
CATALOG NUMBER		HUB SIZE	DIMENSIONS							VOLUME CU. IN.
KILLARK ALUMINUM			A	B	C	D	E	F	G	
FSOC-1		1/2"	7/8" (22)	3" (76)	1-1/2" (138)	4-5/8" (117)	2-7/8" (73)	—	—	29.0

FSL TYPE CAST DEVICE BOX - SHALLOW										
CATALOG NUMBER		HUB SIZE	DIMENSIONS							VOLUME CU. IN.
KILLARK ALUM.	DURALOY IRON		A	B	C	D	E	F	G	
FSL-1	FSL-1M	1/2"	7/8" (22)	2" (51)	11/16" (17)	4-5/8" (117)	2-7/8" (73)	—	—	18.0
FSL-2	FSL-2M	3/4"	7/8" (22)	2" (51)	11/16" (17)	4-5/8" (117)	2-7/8" (73)	—	—	18.0

Dimensions



FDC - 1 & 2

FSOC

FSL

