

## Fused Air Conditioning Disconnects



### Features

- Ample Wiring Space
- Rugged Design
- Numerous Knockouts
- Raised Mounting Embosses
- Copper Conductors
- Fuse Holder
- Removable Door
- Meets National Electrical Code® Requirements

### Benefits

- The larger enclosure allows for ample wiring space.
- Manufactured with powder coated G90 galvanized steel for fade, scratch and corrosion resistance.
- All (6) knockouts are easy to remove. The sidewall knockouts provide access from the sides of the device. Every knockout has 1/2", 3/4" and 1" provisions.
- (4) Raised mounting embosses keep the unit away from the wall, preventing dirt build-up. The upper mounting hole is shaped to be used as a hanger.
- Copper current carrying part allows for a cooler, longer lasting operation.
- The easy to remove pullout securely holds the fuses in place. The fuse holder design allows you to safely and easily de-energize the load terminals without the need to remove the fuses.
- The easily removable door makes it possible to wire the device with absolutely no interference.
- Siemens air conditioning disconnects provide the ideal means to comply to articles 440-14 and 110-3(b) of the 1999 National Electrical Code®.

### UL Listed, NEMA Type 3R Enclosure

**240 Volts**

Catalog Number	Ampere Rating	Maximum Horsepower	Fuse® Class	Std. Pkg.
WF2030 <sup>②</sup>	30	3	H	6
WF2060 <sup>②</sup>	60	10	H	6

① Fuses not included.

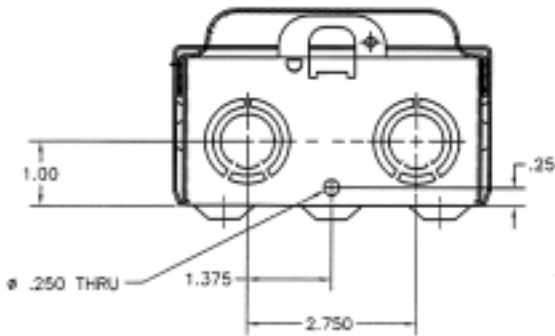
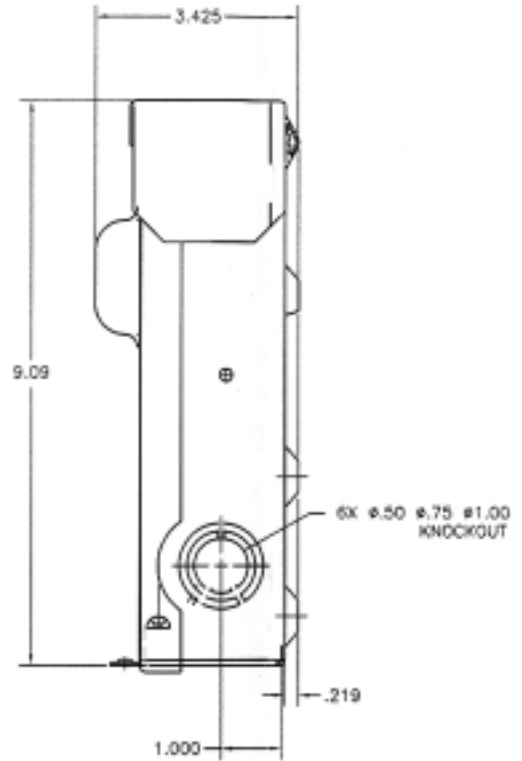
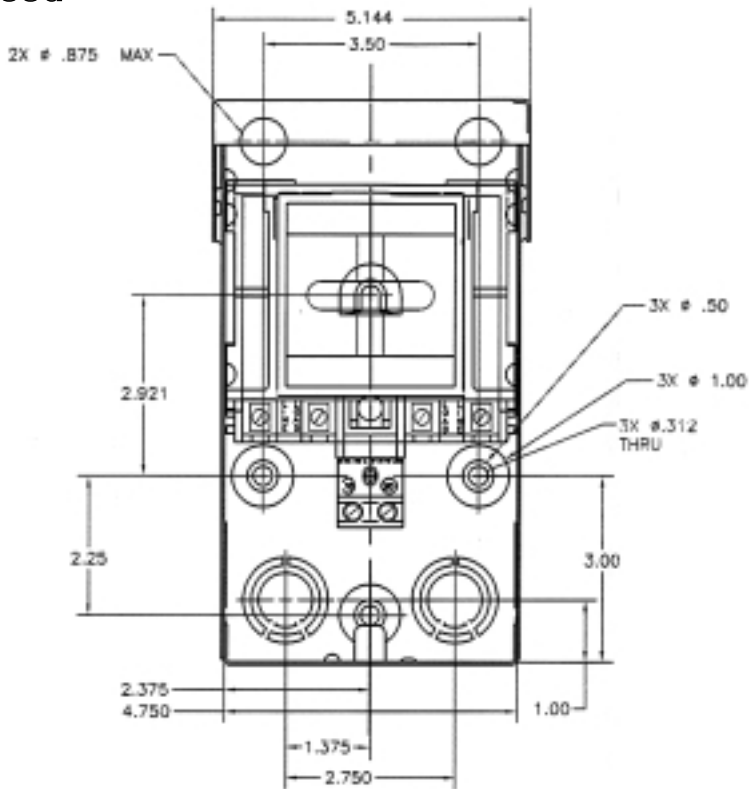
② Service Entrance Rated.

® National Electrical Code is a registered trademark of the National Fire Protection Association.

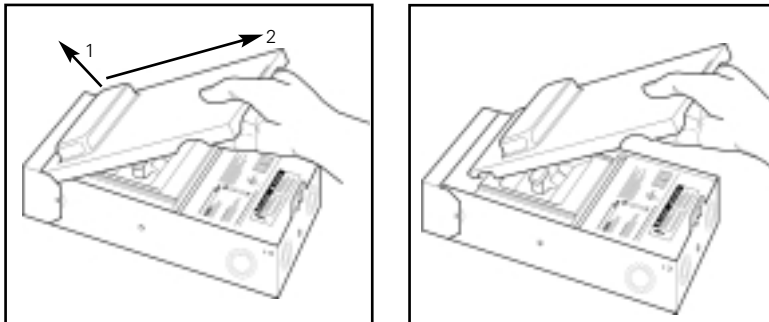
® UL is a registered trademark of Underwriters Laboratories, Inc.

# Dimensions (inches)

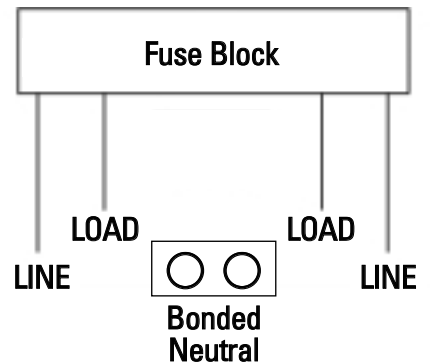
## Fused



### Removable Door



## Wiring Diagram



Connector	Copper		Aluminum	
	Sol.	Str.	Sol.	Str.
Line	14-8	14-2	12-8	12-3
Load	14-8	14-2	12-8	12-3
Bonded Neutral	14-8	14-3	12-8	12-3

**Siemens Energy & Automation, Inc.**

Residential Infrastructure Division  
 3333 Old Milton Parkway  
 Alpharetta, GA 30005  
[www.sea.siemens.com](http://www.sea.siemens.com)