

Pin & Sleeve Devices

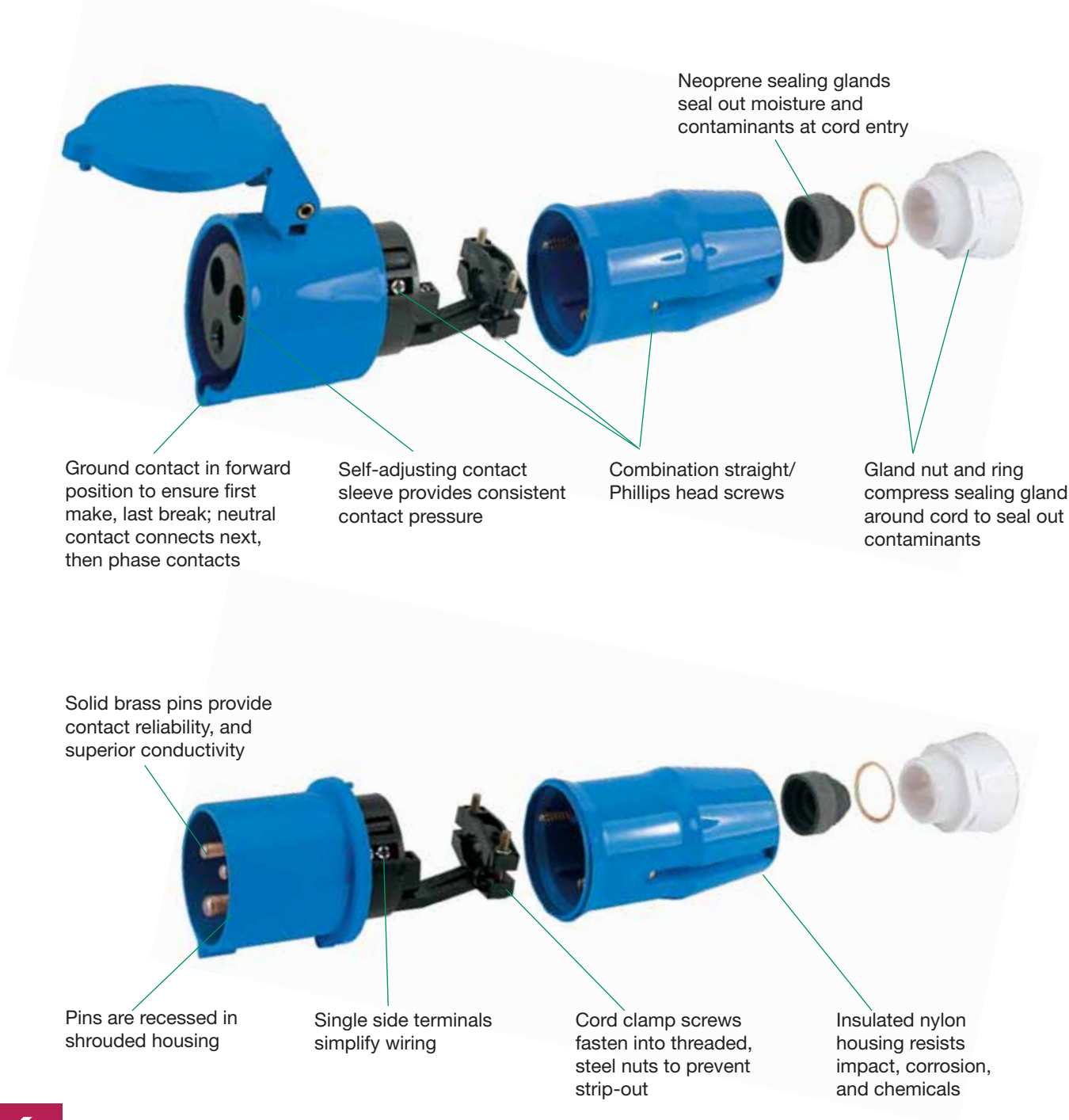
Splashproof Devices Product Features



When devices are exposed to limited splashing of water or other liquids, Bryant offers splashproof devices in six of the most popular international voltage and amperage ratings. These devices are ideally suited for OEM manufacturers, who build equipment for export overseas. Devices are required to withstand impact from handling and fluctuations in heat and cold without interruption of performance. The Splashproof series is ideal for this application. Available in 16 and 32A, splashproof devices meet IEC 60309-1 and IEC 60309-2 standards, resulting in singly rated, non-interchangeable configurations. They comply with VDE and CE requirements and have a moisture resistance rating of IP44. Like their watertight counterparts, these devices simply cannot be mismatched.

Designed for value and performance, these devices integrate the key features that make them reliable, and durable.

Singly-rated, non-interchangeable configurations in accordance with IEC 60309-1 and 60309-2 standards. Prevents mismatching of devices with different voltage ratings. Color coded for easy identification.





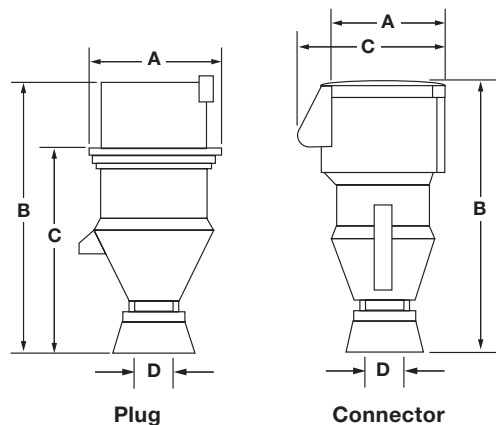
SPLASHPROOF 16, 32 AMP INTERNATIONAL RATINGS

Amps	Poles and Wires	Configuration		Voltage	Receptacle	Plug	Connector	Back Box*
		Recep./ Conn.	Plug/ Inlet					
16	2P 3W			100-130	316R4S	316P4S	316C4S	BB201WA BB301WA
	2P 3W			200-250	316R6S	316P6S	316C6S	BB201WA BB301WA
	3P 4W			380-415	416R6S	416P6S	416C6S	BB201WA BB301WA
	4P 5W			200/346 240/415	516R6S	516P6S	516C6S	BB201WA BB301WA
32	2P 3W			100-130	332R4S	332P4S	332C4S	BB201WA BB301WA
	2P 3W			200-250	332R6S	332P6S	332C6S	BB201WA BB301WA

Note: *Requires AP2030 adapter plate, ordered separately (page K-10). Also see direct mounting back box DM20301 (page K-11).

SPLASHPROOF PLUG

KEY	Dimensions In. (mm)			
	16A 3-Wire	16A 4-Wire	16A 5-Wire	32A 3-Wire
A	1.99 (51)	2.26 (58)	2.50 (64)	2.57 (66)
B	5.38 (138)	5.38 (138)	5.58 (143)	6.83 (175)
C	3.99 (102)	3.99 (102)	4.17 (107)	5.07 (130)
D	0.66 (17)	0.66 (17)	0.66 (17)	0.96 (24.5)

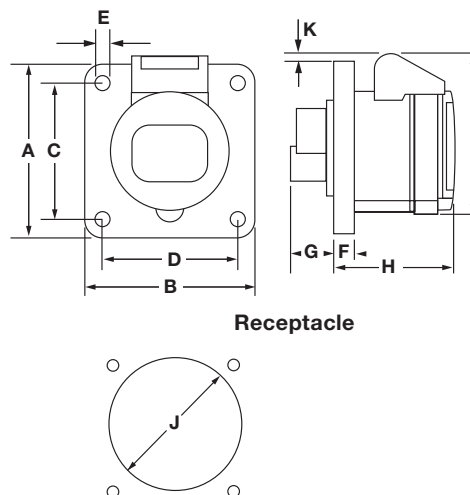


SPLASHPROOF CONNECTOR

KEY	Dimensions In. (mm)			
	16A 3-Wire	16A 4-Wire	16A 5-Wire	32A 3-Wire
A	1.99 (51)	2.26 (58)	2.50 (64)	2.57 (66)
B	5.85 (150)	5.89 (151)	6.05 (155)	7.33 (188)
C	2.77 (71)	3.08 (79)	3.32 (85)	3.63 (93)
D	0.66 (17)	0.66 (17)	0.66 (17)	0.96 (24.5)

SPLASHPROOF RECEPTACLE

KEY	Dimensions In. (mm)			
	16A 3-Wire	16A 4-Wire	16A 5-Wire	32A 3-Wire
A	2.44 (62)	2.93 (75)	2.93 (75)	2.93 (75)
B	2.44 (62)	2.93 (75)	2.93 (75)	2.93 (75)
C	1.88 (47)	2.34 (60)	2.34 (60)	2.34 (60)
D	1.88 (47)	2.34 (60)	2.34 (60)	2.34 (60)
E	0.22 (5.5)	0.22 (5.5)	0.21 (5.5)	0.21 (5.5)
F	0.27 (7)	0.27 (7)	0.27 (7)	0.31 (8)
G	0.66 (17)	1.01(26)	0.66 (17)	1.40 (36)
H	1.99 (51)	2.07 (53)	2.07 (53)	2.42 (62)
I	2.73 (70)	3.12 (80)	3.32 (85)	3.51 (90)
J	1.76 (45)	1.76 (45)	2.15 (55)	2.34 (60)
K	0.14 (3.5)	0.27 (7)	0.45 (11.5)	0.47 (12)



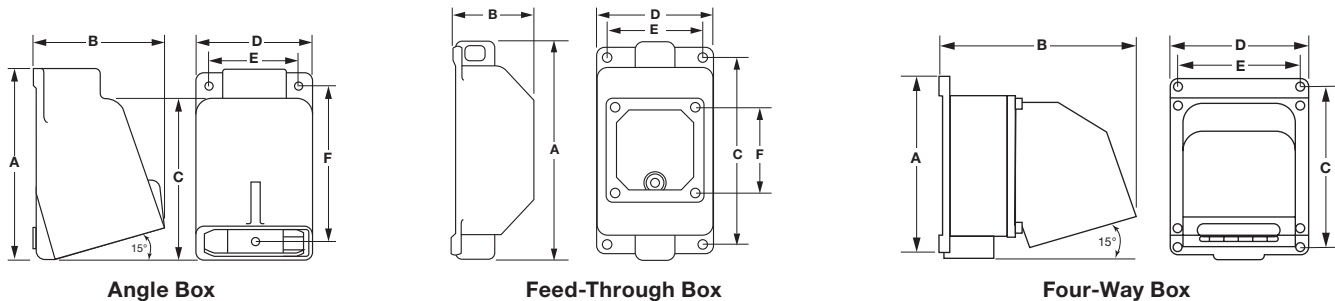
Pin & Sleeve Devices Accessories; Back Boxes and Plates



To complete your installation, Bryant offers a full line of back boxes, adapter plates and closure caps. Pin & Sleeve accessories feature the heavy-duty construction and durability you require for reliable performance in harsh environments.

Back Boxes

Bryant offers a complete line of angled and feed-thru back boxes for mounting receptacles and inlets. Each back box features heavy-duty cast aluminum construction with a durable enamel finish. Adapter plate required to mount receptacles and inlets to back boxes - order separately. See ordering information below.

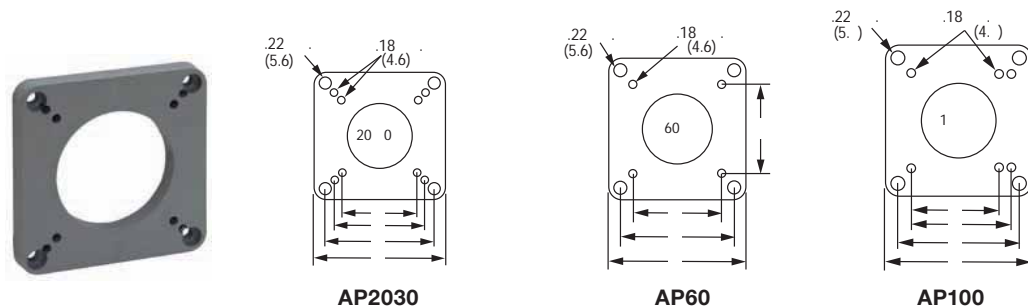


Description	Catalog Number	Hub Size	Dimensions In. (mm)						Capacity Cu. In. (Cm3)
			A	B	C	D	E	F	
15° angle - 20/30A devices	BB201WA*	¾"	5.12 (130.2)	4.00 (101.6)	4.19 (106.4)	3.75 (95.3)	3.00 (76.2)	4.00 (101.6)	30 (492)
15° angle - 20/30A devices	BB301WA*	1"	5.12 (130.2)	4.00 (101.6)	4.19 (106.4)	3.75 (95.3)	3.00 (76.2)	4.00 (101.6)	30 (492)
15° angle - 60A devices	BB601WA*	1¼"	7.25 (184.2)	5.25 (133.4)	6.00 (152.4)	4.50 (114.3)	3.75 (95.3)	6.19 (157.2)	80 (1312)
15° angle - 60A devices	BB602WA*	1½"	7.25 (184.2)	5.25 (133.4)	6.00 (152.4)	4.50 (114.3)	3.75 (95.3)	6.19 (157.2)	80 (1312)
15° angle - 100A devices	BB1001WA*	1½"	8.12 (206.4)	6.75 (171.5)	6.88 (174.6)	5.50 (139.7)	4.75 (120.7)	6.94 (176.2)	130 (2132)
15° angle - 100A devices	BB1002WA*	2"	8.12 (206.4)	6.75 (171.5)	6.88 (174.6)	5.50 (139.7)	4.75 (120.7)	6.94 (176.2)	130 (2132)
Feed-thru - 20/30A devices	FT202WA*	¾"	8.25 (209.6)	3.06 (77.8)	7.14 (181.4)	4.50 (114.3)	3.75 (95.3)	3.13 (79.5)	48 (787)
Feed-thru - 20/30A devices	FT302WA*	1"	8.25 (209.6)	3.06 (77.8)	7.14 (181.4)	4.50 (114.3)	3.75 (95.3)	3.13 (79.5)	48 (787)
Four-way - 60/100A devices	FW60100A**	1½"	8.75 (222.3)	9.75 (247.7)	7.75 (196.9)	6.75 (171.5)	6.00 (152.4)	—	210 (3444)

Note: *Adapter plates: 20/30A devices requires AP2030, 60A devices require AP60 and 100A devices require AP100 adapter plates, ordered separately.
**Requires AP60 adapter plate to mount 60A receptacle or inlet. 100A receptacle mounts directly to box. 100A inlet does not mount to this box.

Adapter Plates

Valox® adapter plates permit receptacles and inlets to be mounted to back boxes. Mounting hardware and gasket included.



Description	Catalog Number	Dimensions In. (mm)						
		A	B	C	D	E	F	G
Required to mount 20 and 30A receptacles and inlets to BB201WA, BB301WA, FT202WA, FT302WA back boxes	AP2030	3.76 (96.4)	3.13 (80.3)	2.76 (70.8)	2.36 (60.5)	—	—	—
Required to mount 60A receptacles and inlets to BB601WA, BB602WA and FW60100A back boxes	AP60	4.51 (115.6)	3.88 (99.5)	—	—	3.03 (77.7)	3.35 (85.9)	—
Required to mount 100A receptacles and inlets to BB1001WA and BB1002WA back boxes	AP100	5.52 (141.5)	4.87 (124.9)	—	—	3.94 (101.0)	—	4.25 (109.0)