



SHOP DRAWING

EL-NIÑO HAND DRYER ELN SERIES



FEATURES

COLOURS

- standard: white
- luxurious finish: brushed chrome (surcharge)
- ORORA (optional): denim blue, midnight blue, turquoise, moss green, canary yellow, red, orange, anodized aluminum paint, gravel gray, charcoal, espresso, black (refer to page 8 of the catalogue)

FINISH

epoxy-polyester powdercoat or chrome-plated

MANUFACTURING

- rib reinforced shell, solidly constructed of die-cast aluminum alloy
- lightweight, heavy duty and rustproof shell
- secured to wall bracket with two chrome-plated tamper-proof bolts

ELEMENT

nichrome element located in motor section

CONTROL

- four personalized operating modes to meet your needs
- infrared optical sensor located next to the air outlet activates and deactivates the hand dryer
- 60-second lockout feature is activated if hands are not removed before this time

INSTALLATION

- surface mounted
- optional semi-recessed installation with depth of 4 inches or less; meets ADA standards (*Americans with Disabilities Act*)

* 3 years on electronic components.

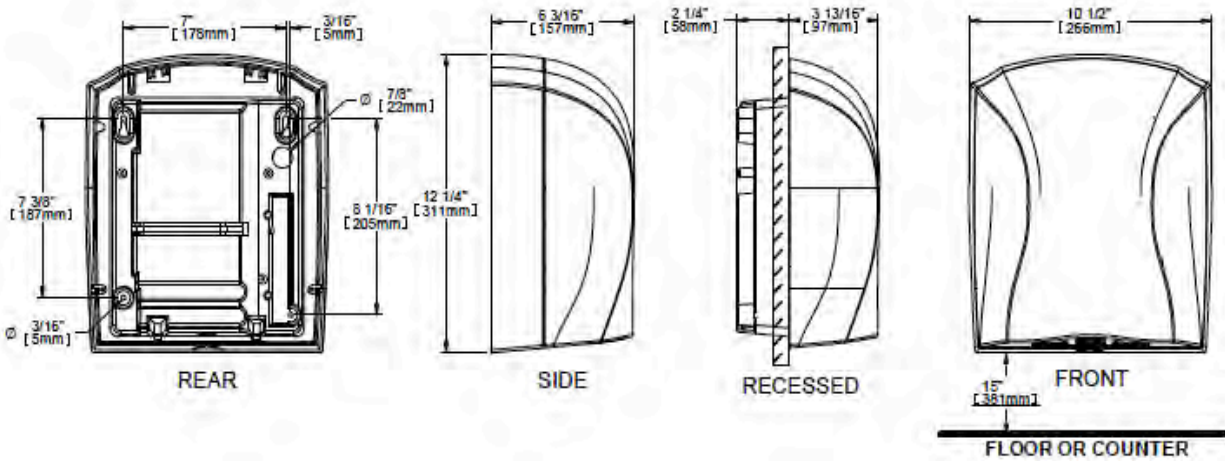
SHOP DRAWING

EL-NIÑO HAND DRYER ELN SERIES

COLOR:

TYPE	QTY	MODEL	WATTS	VOLTS	AMP	COLOR	ACCESSORIES

TECHNICAL DRAWING



MODEL	DESCRIPTION	DELIVERY TIME

COMMENTS:	PROJECT:	
	ARCHITECT:	
	ENGINEER:	
	CONTRACTOR:	
	DISTRIBUTOR:	
	DATE:	