

Ultra Tugger® 2 Cable Puller: 2000 lb. (8.8 kN) Rated



- Quick Latch System attaches to all conduit sizes with no loose parts.
- Adjustable elbow and extendable boom adjust easily to fit your job needs.
- Right Angle Sheave keeps operator out of direct line with the pulling rope.
- Dual Diameter capstan provides 2 pulling speeds.
- Cross Tube provides a solid base for setup and during pull.
- Integral Motor designed specifically for cable pulling applications.
- Circuit Breaker stops the puller motor if it becomes overloaded.
- Wheels provide easy movement around jobsite.

SPECIFICATIONS

Pulling Force	High Speed Capstan	1,000 lb. (455 kg) continuous
	Low Speed Capstan	2,000 lb. (909 kg) continuous
Drive Motor	120 VAC, 50/60 Hz, 12 Amps	
Weight	67 lbs.	
Pulling Speeds	High Speed Capstan	
	No Load:	73 fpm (22 mpm)
	500 lb. Load (227 kg):	36 fpm (11 mpm)
	1,000 lb. Load (455 kg):	22 fpm (7 mpm)
Low Speed Capstan		
No Load:	41 fpm (12 mpm)	
1,000 lb. Load (455 kg):	36 fpm (11 mpm)	
2,000 lb. Load (909 kg):	22 fpm (7 mpm)	
Pulling Rope	1/2" polyester (10,000 lb. minimum breaking strength)	
	*Greenlee recommends that only low stretch polyester rope be used with the UT2. High stretch ropes can release large amounts of energy should they break during use.	
Conduit Size	1" or larger	
Pulling Capabilities	3 x 500 kcmil cable 500' with 2 x 90° bends	
	3 x 500 kcmil cable 250' with 4 x 90° bends	
	8 x 4/0 AWG cable 300' with 3 x 90° bends	

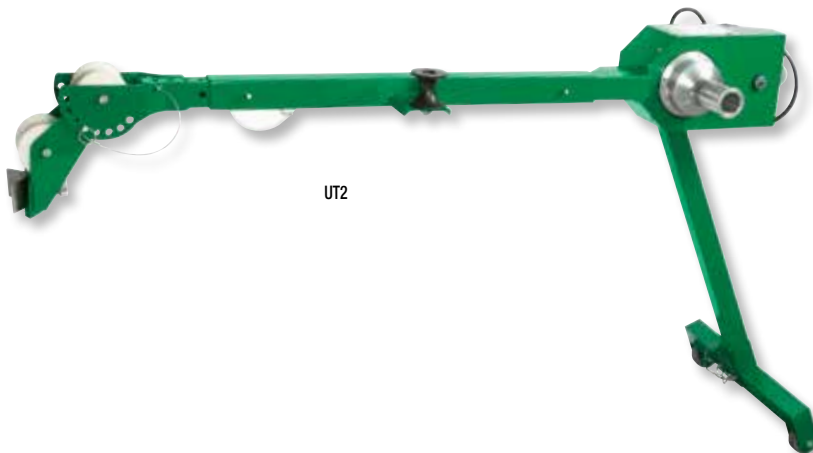


UP PULL

DOWN PULL

SIDE PULL

CAT. NO.	UPC NO.	DESCRIPTION
UT2	02010	2,000 LB. Cable Puller Unit
A 56362	56362	Trailer hitch adapter (fits 2" receiver)
A 2448	23273	Storage Box
A 455	23774	1/2" x 300' (12.7 mm x 91 m) Double Braided Rope
A 456	23777	1/2" x 600' (12.7 mm x 182 m) Double Braided Rope



UT2



56362

NOTE: Rope is a very critical link in the cable pulling system. See page 207 for proper pulling rope selection.

STORAGE

Chests



2460



Optional casters available for increased mobility. See page 427 for options

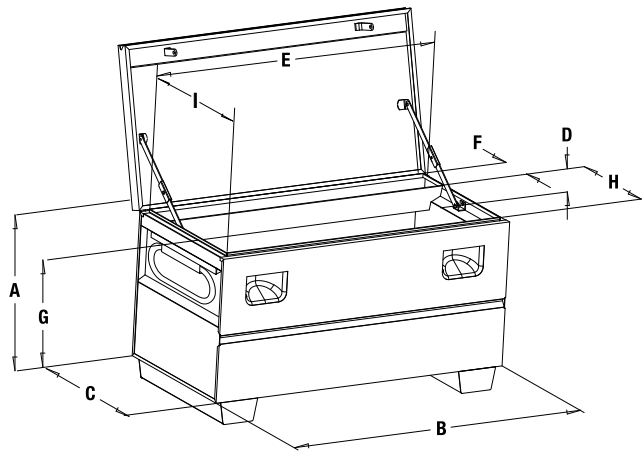
- Recessed and concealed lock protectors for maximum security against drilling and cutting lock. (Model 1332 and 1636 one lock protector only.)
- Finger-groove lid handle for easy opening.
- Convenient storage tray on back wall for small items (Models 2448, 2460, 2472, 3048).
- "X" models do not include rear tray for larger opening.
- Heavy-duty piano hinges with non-removable pin.
- Patented, ergonomically designed fold-down recessed handles.
- Angled 3-1/2" high support skids feature threaded holes for easy caster installation.
- Recommend #1 and #5 Masterlock® padlocks or equivalent.

SPECIFICATIONS 1332 1636 2142 2448 2460 3048 2472

Capacity FT³	4.9	6.7	9.7	16.6	20.8	25	25
Weight	78 lbs. (35 kg)	101 lbs. (46 kg)	124 lbs. (56 kg)	159 lbs. (72 kg)	184 lbs. (83 kg)	200 lbs. (91 kg)	214 lbs. (97 kg)

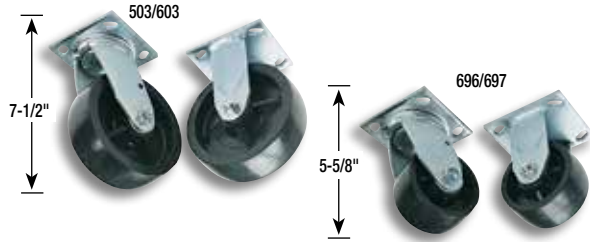
DIMENSIONS

	A	B	C	D	E	F	G	H	I
1332	14"	32"	19"	—	29.5"	—	—	—	16.75"
1636	17"	36"	19"	—	33.5"	—	—	—	16.75"
2142	20"	42"	20"	—	39.5"	—	—	—	17.75"
2448	25"	48"	24"	4"	45.5"	4"	19"	15.5"	21.75"
2448X	25"	48"	24"	—	45.5"	—	—	15.5"	21.75"
2460	25"	60"	24"	4"	57.5"	4"	19"	15.5"	21.75"
2460X	25"	60"	24"	—	57.5"	—	—	15.5"	21.75"
3048	30"	48"	30"	4"	45.5"	4"	24"	21.5"	27.75"
3048X	30"	48"	30"	—	45.5"	—	—	21.5"	27.75"
2472	25"	72"	24"	4"	69.5"	4"	19"	15.5"	21.75"
2472X	25"	72"	24"	—	69.5"	—	—	15.5"	21.75"



CAT. NO.	UPC NO.	DESCRIPTION
1332	38717	Storage chest without tray
1636	38718	Storage chest without tray
2142	31651	Storage chest without tray
2448	23273	Storage chest
2448X	00852	Storage Chest without tray
2460	23363	Storage chest
2460X	00858	Storage Chest without tray
3048	23362	Storage chest
3048X	00859	Storage Chest without tray
2472	07483	Storage chest
2472X	00853	Storage Chest without tray

Replacement Parts



- Caster bolt pattern 2-7/8" x 3-1/4".
- Polyolefin-injected molded hard casters: stain-resistant, chemical-resistant, and non-marking.

CASTER SELECTION CHART

STORAGE BOX CAT. NO.	CASTER CAT NO.			
	503	603	703	696
1332	✓	✓	✓	✓
1636	✓	✓	✓	✓
2142	✓	✓	✓	✓
2448	✓	✓	✓	✓
2460	✓	✓	✓	✓
3048	✓	✓	✓	✓
2472	✓	✓	✓	✓
1230				
1531				
5060MESH	✓	✓	✓	Included
3360	✓	✓	✓	✓
4848	✓	✓	✓	✓
4860	✓	✓	✓	✓
4872	✓	✓	✓	✓
2260	✓	✓	✓	✓
3648	✓	✓	✓	✓
3660	✓	✓	✓	✓
5660L	✓	✓	✓	✓
5660LH	✓	✓	✓	✓
5760TD	✓	✓	✓	✓
5860	Included	Included	✓	✓
3548	✓	✓	Included	✓
8060DLX	✓	✓	✓	✓

SPECIFICATIONS	503	603	703	696	697
Diameter	6 in. (152 mm)	6 in. (152 mm)	6 in. (152 mm)	4 in. (102 mm)	4 in. (102 mm)
Tread	2 in. (51 mm)	2 in. (51 mm)	2 in. (51 mm)	2 in. (51 mm)	2 in. (51 mm)
Capacity	2000 lbs. (907 kg)	2000 lbs. (907 kg)	2000 lbs. (907 kg)	1600 lbs. (726 kg)	1600 lbs. (726 kg)
Ship Weight	22 lbs. (10 kg)	20 lbs. (9 kg)	20 lbs. (9 kg)	13 lbs. (6 kg)	15 lbs. (7 kg)

*Each caster set includes (16) 3/8-16 x 1" self-threading mounting screws.
 †Each caster set includes (16) 3/8-16 x 1" carriage bolts; (16) 3/8-16 hex nuts; (16) 3/8 lockwashers.
 Note: Screw/washer kit p/n 50062913 is necessary for mounting 703 casters on boxes other than 3548.

CAT. NO.	UPC NO.	DESCRIPTION
503*	28044	4 Swivel
603*	23405	2 Rigid, 2 Swivel
703†	08420	2 Rigid, 2 Locking Swivel
696*	15341	2 Rigid, 2 Swivel
697*	89189	4 Swivel
52025978	20965	Lid Support – (L) Side
52025979	20966	Lid Support – (R) Side
08428	08428	10 mm Gas Spring Ball Stud Replacement Kit (all Slant/Flat-Tops)
53950	53950	Gas Springs for 2260
53951	53951	Gas Springs for 3360 only
08427	08427	13 mm Gas Spring Ball Stud Replacement Kit (8060 DLX)
55294	55294	Replacement Gas Spring Kit – Shock and (2) Clips (8060 DLX)
01886	01886	Replacement Gas Spring Kit for 4872, 4848, 4860, 3648 & 3660

Greenlee Green Spray Touch-up Paint



- Closely matches Greenlee painted products.

SPECIFICATIONS

Weight 1.2 lbs. (.5 kg)

CAT. NO.	UPC NO.	DESCRIPTION
22618	22618	13 oz. (384 ml) Aerosol Can of Greenlee Green Spray Paint
10378	10378	13 oz. (384 ml) Aerosol Can of Greenlee Flat Green Spray Paint*

NOTE: The color green is a registered trademark for Test Instruments, Job Boxes, Benders and Pulling Equipment.
 *For Storage Boxes