



## Delta BreezGreenBuilder

Perfectly quiet. Perfectly green.

### Delta BreezGreenBuilder Series

<b>GBR50*</b>	50 CFM Fan Single Speed	
<b>GBR50L*</b>	50 CFM Fan/Light	💡
<b>GBR80</b>	80 CFM Fan Single Speed	
<b>GBR80H</b>	80 CFM Fan with Humidity Sensor	💧
<b>GBR80HL</b>	80 CFM Fan/Light with Humidity Sensor	💡💧
<b>GBR80L</b>	80 CFM Fan/Light	💡
<b>GBR80LED</b>	80 CFM Fan/LED Light	💡LED
<b>GBR80MHL</b>	80 CFM Fan/Light with Humidity and Motion Sensor	💡💧🚶
<b>GBR100</b>	100 CFM Fan Single Speed	
<b>GBR100H</b>	100 CFM Fan with Humidity Sensor	💧
<b>GBR100L</b>	100 CFM Fan/Light	💡
<b>GBR100LED-DECOR</b>	100 CFM Fan/LED Light	💡LED

\* Product is ENERGY STAR Most Efficient 2016 distinction and ENERGY STAR qualified

### Project Pack Components\*

GBR-A	GreenBuilder Housing for Fan Only
GBR50-B	50 CFM Motor/Grille
GBR80-B	80 CFM Motor/Grille
GBR100-B	100 CFM Motor/Grille
GBRL-A	GreenBuilder Housing for Fan/Light, & Fan/Humidity Sensor
GBR50L-B	50 CFM Motor/Grille/Light
GBR80H-B	80 CFM Motor/Grille/Humidity Sensor
GBR80L-B	80 CFM Motor/Grille/Light
GBR100L-B	100 CFM Motor/Grille/Light

\* Project Pack components are sold in quantities of four

	Delta Breez	Market AC Motor
Energy Use (Watts)	4.0	27.1
Noise Level (Sones)	<0.3	1.5
Annual Energy Cost per Fan (24/7) <sup>1</sup>	\$4.21	\$28.49

<sup>1</sup> Calculations based upon U.S. average retail electricity and HVI testing labs.

Actual results may vary

<sup>2</sup> Based upon BreezGreenBuilder G2 GBR50 vs. market AC motor fan

<sup>3</sup> Based upon ENERGY STAR criteria for residential ventilating fans

### The Builders' choice for green construction

Delta BreezGreenBuilder fans mark a new achievement in bathroom ventilation for green construction. Built upon market-leading energy efficiency, exceptionally low power consumption and virtually silent operation, the adds feature options of LED main light, adjustable humidity sensing and speed control, and a 100 CFM model. Additionally, the models have enhanced performance at 0.25" static pressure. Breez GreenBuilder stays true to what has made the GreenBuilder series a winning value proposition for builders and contractors: a reliable Delta brushless DC motor, compact lightweight design for quick installation, and performance ratings that far surpass building requirements...all at an affordable price.



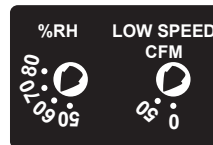
Fan Only & Fan with Humidity Sensor



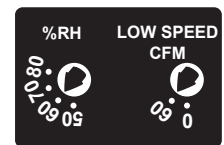
Fan/LED light



Fan/Light, Fan/Light with Humidity and/or Motion Sensor



Built-in Controls  
GBR80H, GBR80HL, GBR80MHL,



Built-in Controls  
GBR100H

Innovative brushless DC motor design for long life, low noise, and low power consumption

- Energy savings up to 85%<sup>2</sup>
- <0.3 sones - lowest tested noise level available for bath fans
- Exceeds ENERGY STAR® requirement by 346% in energy efficiency<sup>3</sup>
- Fan/light and fan/LED light combinations and project packs available

### Project Pack Components Available

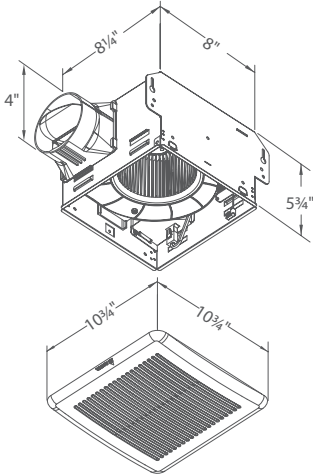


# Specifications

Delta BreezGreenbuilder G2  
Perfectly quiet. Perfectly green.

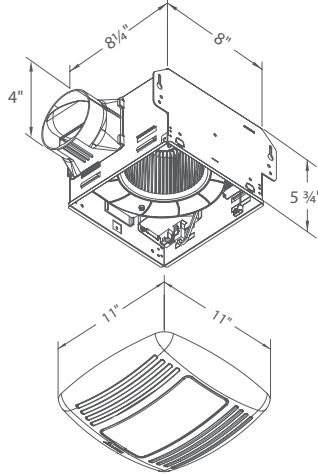
The Builders' choice for green construction. Designed for easy retrofit and new construction.

Fan Housing for  
GBR50, GBR80, GBR80H,  
GBR100 and GBR100H



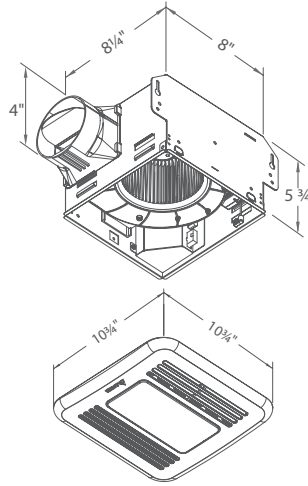
Grille for Fan Only

Fan/Light Housing for  
GBR50L, GBR80L, GBR80HL,  
GBR80MHL and GBR100L



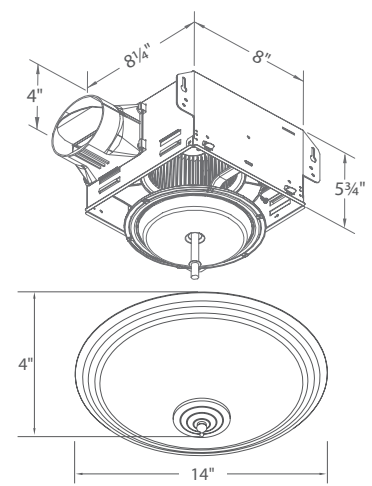
Grille for Fan/Light

Fan/LED Light Housing for  
GBR80LED



Grille for Fan/LED Light

Fan/LED Light Housing  
for GBR100LED-DECOR



Grille for GBR100LED-DECOR

Delta BreezGreenBuilder G2	GBR50		GBR50L		GBR80		GBR80H		GBR80L		GBR80HL/ GBR80MHL		GBR80LED		GBR100		GBR100H		GBR100L		GBR100LED-DECOR			
<b>Fan Speed</b>	Full Speed		Full Speed		Full Speed		Continuous Low Speed		Full Speed		Full Speed		Continuous Low Speed		Full Speed		Full Speed		Continuous Low Speed		Full Speed			
<b>Static Pressure (Inches w.g.)</b>	0.1	0.25	0.1	0.25	0.1	0.25	0.1	0.25	0.1	0.25	0.1	0.25	0.1	0.25	0.1	0.25	0.1	0.25	0.1	0.25	0.1	0.25	0.1	0.25
<b>Air Flow (CFM)</b>	50	35	50	35	80	64	50	35	80	64	80	63	50	35	80	63	100	77	60	42	100	77	100	72
<b>Sones</b>	<0.3	1.0	<0.3	0.8	0.8	1.5	<0.3	1.0	0.8	1.5	0.8	1.5	0.4	0.8	0.8	1.5	1.4	1.5	0.5	0.7	1.4	1.5	1.4	1.3
<b>Power Consumption (Watts)</b>	3.8	5.2	4.5	5.8	10.5	12.5	4.0	6.0	9.7	11.8	11.0	13.6	5.3	7.0	11.5	11.4	11	13	12.6	11.6	4.9	6.3	12.6	12.5
<b>Energy Efficiency (CFM/Watt)</b>	13.1	6.7	11.1	6.0	7.6	5.1	12.5	6.1	8.2	5.4	7.2	4.6	9.4	5.0	6.9	5.5	7.2	4.8	7.9	6.6	12.2	6.6	7.9	6.1
<b>Current (Amps)</b>	0.12 Max		0.44 Max		0.21 Max		0.22 Max		0.50 Max		0.63 Max		0.33 Max		0.22 Max		0.24 Max		0.63 Max		0.32 Max			
<b>Power Rating (V/Hz)</b>	120 / 60																							
<b>Mounting Opening</b>	8 1/4" x 8"																							
<b>Mounting Depth</b>	5 3/4"																							
<b>Duct Diameter</b>	4"																							
<b>Grille Size</b>	10 3/4" x 10 3/4"		11" x 11"		10 3/4" x 10 3/4"		10 3/4" x 10 3/4"		11" x 11"		11" x 11"		10 3/4" x 10 3/4"		10 3/4" x 10 3/4"		10 3/4" x 10 3/4"		11" x 11"		14"			
<b>Lamp (Watts)</b>	N/A		26		N/A		N/A		26		26		13		N/A		N/A		26		13			
<b>Lamp Style</b>	N/A		GU24 CFL		N/A		N/A		GU24 CFL		GU24 CFL		LED Module		N/A		N/A		GU24 CFL		LED Module			
<b>Automatic Operation</b>	N/A		N/A		Yes (humidity)		N/A		Yes - GBR80HL (humidity)		Yes - GBR80MHL (humidity & motion)		N/A		Yes - GBR100H (humidity)		N/A		N/A		N/A			
<b>Dual Speed Operation</b>	N/A		N/A		Yes (humidity)		N/A		Yes - GBR80HL (humidity)		Yes - GBR80MHL (humidity & motion)		N/A		Yes - GBR100H (humidity)		N/A		N/A		N/A			
<b>Color Temperature</b>	N/A		2700 K		N/A		N/A		2700 K		2700 K		2700 K		N/A		N/A		2700 K		3000 K			
<b>Lumens</b>	N/A		1850		N/A		N/A		1850		1850		850		N/A		N/A		1850		950			
<b>Shipping Gross Weight (Lbs)</b>	7.0		8.8		7.0		7.2		8.8		8.6		7.5		7.0		7.6		8.8		13			
<b>cUL Tub/Shower Enclosure</b>	Yes																							
<b>California Title 24 Compliant</b>	Yes																							
<b>Mfg in ISO 9001 Certified Factory</b>	Yes																							
<b>ENERGY STAR® Qualified</b>	Yes																							
<b>ENERGY STAR Most Efficient 2016</b>	Yes		N/A																					
<b>Warranty (Years)</b>	3																							

Design and specifications subject to change without notice.



46101 Fremont Blvd., Fremont, CA 94538  
tel 1.888.979.9889 | www.deltabreez.com

