

Specifications

GENERAL

H-STRUT General Fittings are designed to secure all H-STRUT 1⁵/₈" wide channels, or threaded rod, to beams or supports for the purpose of running piping, conduit or tubing. All H-STRUT fittings are manufactured from 1/4" thick carbon steel or cast malleable iron. The more popular beam clamps are illustrated on the following pages. However, there are hundreds of others available. Please contact the factory for any other clamps you may need.

ORDERING

Please specify catalog number and finish.

MATERIAL

H-STRUT fittings are manufactured from the following material:

- Hot Rolled Steel SheetASTM A-1101
- Cold Rolled Steel SheetASTM A-1008
- Stainless Steel-Type 304/316ASTM A-240
- Malleable Cast Iron

FINISH

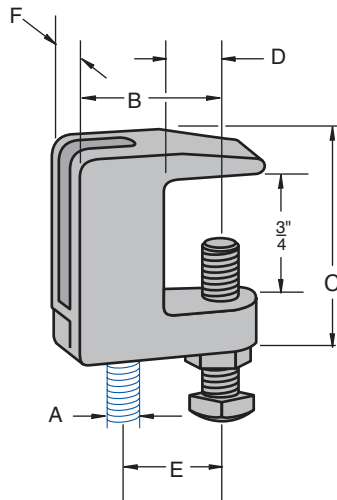
H-STRUT pipe clamps are available in the following finishes:

- Electro-GalvanizedASTM B-633
- Hot Dipped GalvanizedASTM A-123
- Zinc Trivalent ChromiumASTM B-633-85
- Powder Coated Supr-Green.ASTM B-117
- PVC Coating - Available Upon Request

BEAM CLAMPS

C-420

Top Beam Clamp

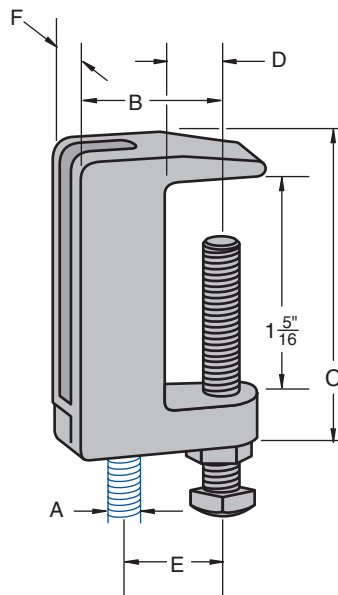


MATERIAL: Malleable Iron
FINISH: Plain/Electro-Galvanized
APPLICATION: Recommended for use under roof installations with bar joist type construction where thickness of joist does not exceed $\frac{5}{8}$ inch.
ORDERING: Specify part #, rod size and finish.

Catalog No.	Rod Size A	B	C	D	E	F	Max. Load Lbs	Wt./100 Pcs.
C-420-1	$\frac{3}{8}$ "	$1\frac{1}{2}$ "	$1\frac{7}{16}$ "	$\frac{3}{4}$ "	$1\frac{3}{16}$ "	$\frac{3}{4}$ "	350	30
C-420-2	$\frac{1}{2}$ "	$1\frac{5}{8}$ "	$1\frac{1}{2}$ "	$\frac{3}{4}$ "	$1\frac{1}{4}$ "	$\frac{7}{8}$ "	470	39
C-420-3	$\frac{5}{8}$ "	$1\frac{1}{2}$ "	$1\frac{1}{2}$ "	$\frac{3}{4}$ "	$1\frac{3}{32}$ "	1"	550	40
C-420-4	$\frac{3}{4}$ "	$1\frac{3}{4}$ "	$1\frac{3}{4}$ "	$1\frac{1}{16}$ "	$1\frac{5}{16}$ "	$1\frac{1}{4}$ "	700	67

C-430

Beam Clamp



MATERIAL: Malleable Iron
FINISH: Plain/Electro-Galvanized
APPLICATION: Recommended for use under roof installations with bar joist type construction where thickness of joist does not exceed $1\frac{1}{4}$ inch.
ORDERING: Specify part #, rod size and finish.

Catalog No.	Rod Size A	B	C	D	E	F	Max. Load Lbs	Wt./100 Pcs.
C-430-1	$\frac{3}{8}$ "	$1\frac{7}{16}$ "	2"	$\frac{3}{4}$ "	$1\frac{3}{16}$ "	$\frac{3}{4}$ "	400	38
C-430-2	$\frac{1}{2}$ "	$1\frac{5}{8}$ "	$2\frac{1}{16}$ "	$\frac{3}{4}$ "	$1\frac{1}{4}$ "	$\frac{7}{8}$ "	500	49
C-430-3	$\frac{5}{8}$ "	$1\frac{3}{4}$ "	$2\frac{1}{4}$ "	$\frac{3}{4}$ "	$1\frac{1}{4}$ "	1"	800	66
C-430-4	$\frac{3}{4}$ "	$1\frac{7}{8}$ "	$2\frac{3}{8}$ "	$\frac{3}{4}$ "	$1\frac{3}{8}$ "	$1\frac{3}{8}$ "	900	83