

SUPPRESSION DIODE, DC 12...250 V, SURGE SUPPRESSOR, FOR MOUNTING ONTO CONTACTORS SIZES00



General technical data:

product brand name		SIRIUS
Product designation		surge suppressor
Design of the surge suppressor		with diode

Control circuit/ Control:

Type of voltage of the control supply voltage		DC
Control supply voltage 1		
• at DC		
— Initial rated value	V	12
— Final rated value	V	250

Certificates/ approvals:

General Product Approval	Functional Safety/Safety of Machinery	Declaration of Conformity	Test Certificates
--------------------------	---------------------------------------	---------------------------	-------------------



[Baumusterprüfbescheinigung](#)



[spezielle Prüfbescheinigung](#)

### Shipping Approval



Shipping Approval	other
-------------------	-------



[Bestätigungen](#)

[sonstig](#)

[Umweltbestätigung](#)

### Further information

**Information- and Downloadcenter (Catalogs, Brochures,...)**

<http://www.siemens.com/industrial-controls/catalogs>

**Industry Mall (Online ordering system)**

<http://www.siemens.com/industrymall>

**Cax online generator**

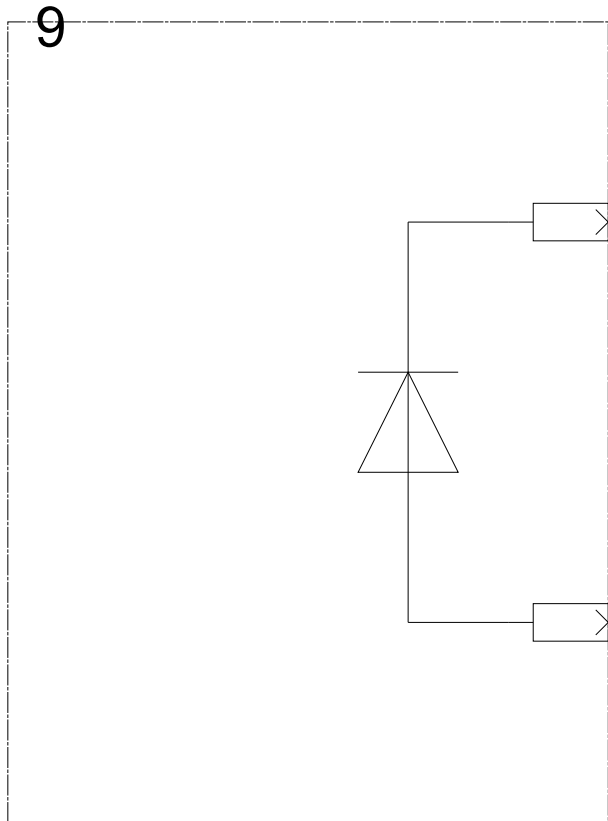
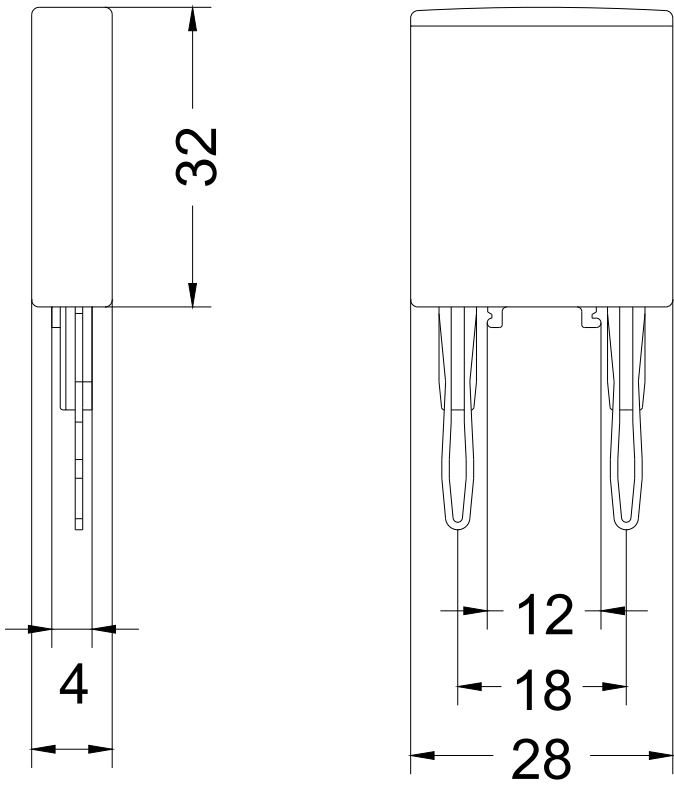
<http://support.automation.siemens.com/WW/CAXorder/default.aspx?lang=en&mfb=3RT19161DG00>

**Service&Support (Manuals, Certificates, Characteristics, FAQs,...)**

<https://support.industry.siemens.com/cs/ww/en/ps/3RT19161DG00>

**Image database (product images, 2D dimension drawings, 3D models, device circuit diagrams, EPLAN macros, ...)**

[http://www.automation.siemens.com/bilddb/cax\\_de.aspx?mfb=3RT19161DG00&lang=en](http://www.automation.siemens.com/bilddb/cax_de.aspx?mfb=3RT19161DG00&lang=en)



last modified:

29.02.2016