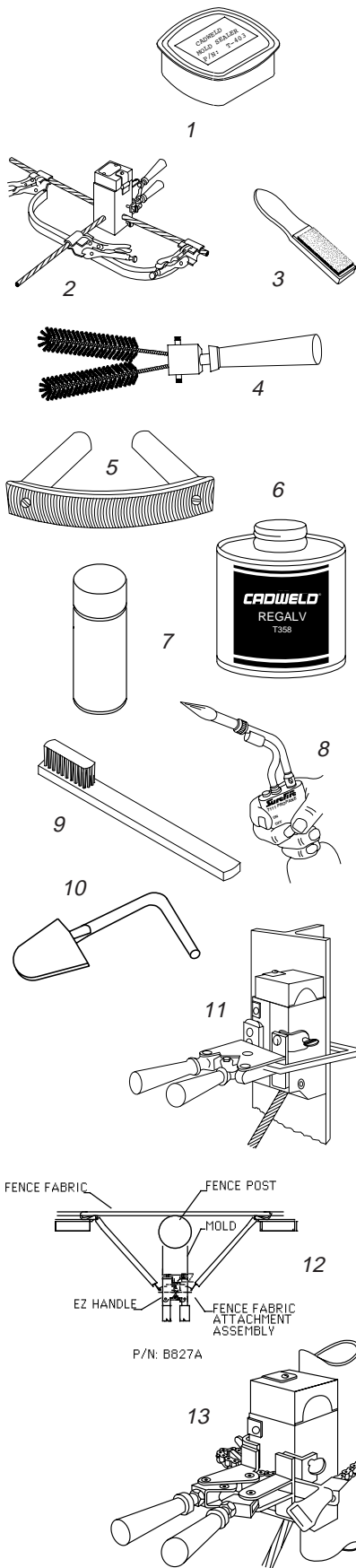


Materials, Tools and Accessories



Mold Sealer

Part Number	Fig.	Description	Size	Price Each
T403	1	Mold Sealer	2 lbs	12.70

Cable and Work Surface Preparation Tools

Part Number	Fig.	Description	Price Each
B265	2	Cable Clamp Assembly	150.85
T313	3	Card Cloth Brush	5.10
T314	4	Cable Cleaning Brush	29.10
T314A	—	Cable Cleaning Brush Replacement	6.70
T321	5	Rasp (includes handle)	96.65
T321A	—	Rasp Blade Replacement	76.60
T358	6	Regalvanizing Compound (4 oz. can)	20.35
T372A	7	Spray Galvanizing	15.25
T111	8	Surefire Torch Head	69.10

Mold Care and Usage Tools

Part Number	Fig.	Description	Reference	Price Each
T394	9	Mold Cleaning Brush		4.30
B136A	10	Slag Removal Spade, #65 W/M & Smaller		2.25
B136B	10	Slag Removal Spade, #90 W/M & Larger		2.25
—	—	Handle Clamps (L159 & L160)	Page 7	
—	—	Disks	Page 11	

Mold Fastening and Mounting

Part Number	Fig.	Description	Reference	Price Each
B134	11	"C" Clamp Attachment for L160		28.95
B135	11	"C" Clamp Attachment for L159		33.90
B827A	12	Fence Fabric Attachment		41.05

Pipe Clamps

B159H	—	Horizontal for Types HA, HS, HC & HT	D & F Molds	85.25
B160H	—	Horizontal for Types HA, HS, HC & HT	C & R Molds	85.25
B320	—	Horizontal for "A" Price Molds		7.05
B159V	13	Vertical for Types VS, VF, VB & VV	D & F Molds	85.25
B159VT	13	Vertical for Type VT	D & F Molds	85.25
B160V	13	Vertical for Types VS, VF, VB & VV	C & R Molds	85.25
B160VT	13	Vertical for Type VT	C & R Molds	85.25
B158	—	Extension Chain for above (20 inches long)		8.55
—	—	Cathodic Frames	Page 7	
—	—	EXOLON Frames & Clamps	Page 7	
—	—	Magnetic Handle Clamps	Page 7	
—	—	Mini E-Z Change Clamps	Page 7	