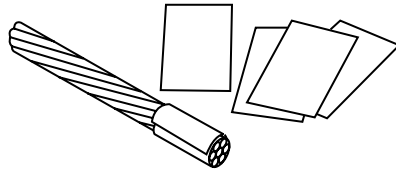
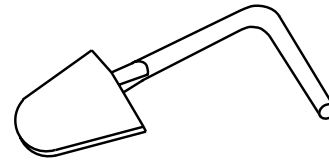


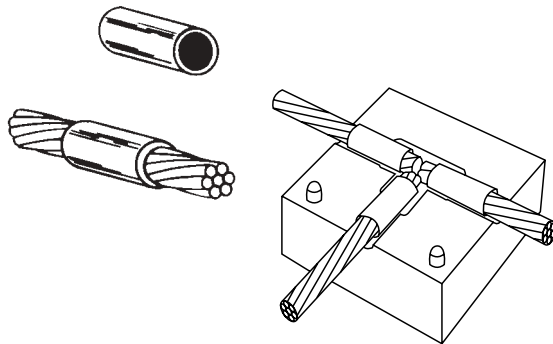
# Tools and Materials



**CADWELD WRAP SLEEVE CAB140A**  
 CADWELD Wrap Sleeve is wrapped around the cable until the diameter is about the same as the cable opening in the mold.



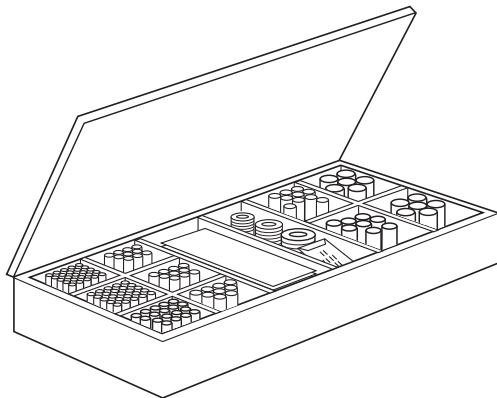
**MOLD CLEANER CAB-136-A**  
 Mold Cleaners are useful for removing the slag from CAA molds after making a CADWELD connection.



**ADAPTER SLEEVES**  
 Small conductors may be built up to fit the opening of larger size welders using either adapter sleeves or shim stock.

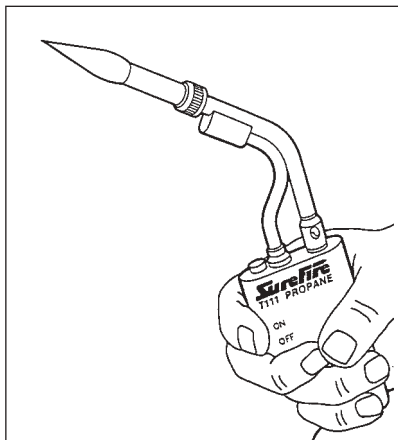
Cable Size		Use Adapter Sleeve Part No.	Use in Mold for Conductor Size	
Stranded	Solid		Stranded	Solid
#12, 14	#10, 12, 14	CAB-133-1H	#6	#6
10	8, 10	CAB-133-1K	--	4
7, 8, 10	6, 8	CAB-133-1L	4	--
6	5	CAB-112	2	--

Adapter sleeves can be used when a limited number of connections are to be made with a smaller conductor in a larger welder.



## CADWELD Sleeve Kit

T427 Includes:			
Product#	Quantity	Product#	Quantity
B1331H	25	B1332L	8
B1331L	25	B1332Q	12
B112	18	B140A	10
B1331V	10	B117A	20
B1331Y	10	B117B	10
B1332C	9	B117C	10
B1332G	10	T320A	10



**SUREFIRE™ CAT-111**  
 Self-igniting propane torch head. Squeeze the control knob for an instant flame. Release and it's out. No flame adjusting. And, the burn tip remains cool during normal use. Operates on its side or upside down. Can withstand 60-MPH winds without flareout. Saves fuel. Safer to use. Fits all standard 14 and 16 oz. propane cylinders.

SUREFIRE™ is a trademark of IPI.