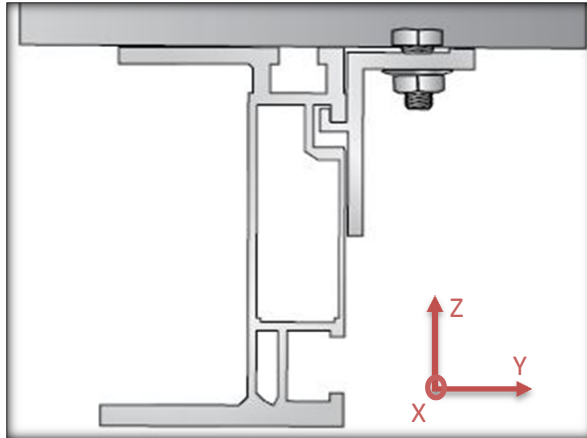


### SOLARMOUNT BOTTOM MOUNTING CLIP (SM HD ONLY)



Bottom Mounting Clip (SM HD Only)		
Direction	Allowable Load (lbs)	Design Load (lbs)
	SM HD	SM HD
X ±, Sliding	27	41
Y ±, Transverse	329	497
Z +, Tension	686	746

Part No. 302000C

Bottom Mounting Clip Material: 6000 Series Aluminum Alloys

Ultimate Tensile Strength: 38 ksi, Yield Strength: 35 ksi

Finish: Clear Anodized

#### NOTES:

Allowable and design loads are valid when components are assembled according to authorized UNIRAC documents.

For the beam to L-Foot connection: Assemble with one Unirac  $\frac{3}{8}$ "-20 T-Bolt and one  $\frac{3}{8}$ "-20 ASTM F594 serrated flange nut.

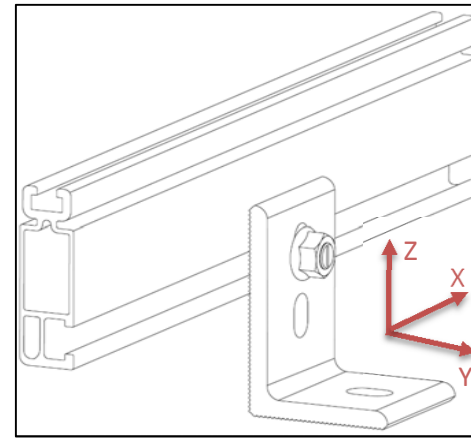
Use anti-seize and torque the Midclamp, Endclamp, and Bottom Mounting Clip to 10 ft-lbs. Use anti-seize and torque the L-Foot to 30 ft-lbs.

Values for the L-Foot and Bottom Mounting Clip represent the capacity of a single part when used with a SOLARMOUNT series rail to retain a module in the direction indicated.

Assemble Midclamp and Endclamp with one Unirac  $\frac{1}{4}$ "-20 T-Bolt and one  $\frac{1}{4}$ "-20 ASTM F594 serrated flange nut.

SM = SOLARMOUNT Standard Rail, SM HD = SOLARMOUNT Heavy Duty Rail, SM LT = SOLARMOUNT Light Rail

### SOLARMOUNT L-FOOT



L-Foot with $\frac{3}{8}$ " T-Bolt				
Direction	Allowable Load (lbs)		Design Load (lbs)	
	SM/SM HD	SM LT	SM/SM HD	SM LT
X ±, Sliding	565	594	854	898
Y ±, Transverse	146	172	220	261
Z +, Tension	938	603	1419	911
Z -, Compression	1357	1297	2052	1962

Part No. 304001C, 304001D

L-Foot material: 6000 Series Aluminum Alloys

Ultimate Tensile: 38 ksi, Yield: 35 ksi

Finish: Clear or Dark Anodized

L-Foot Weight: 0.215 lbs (98g)