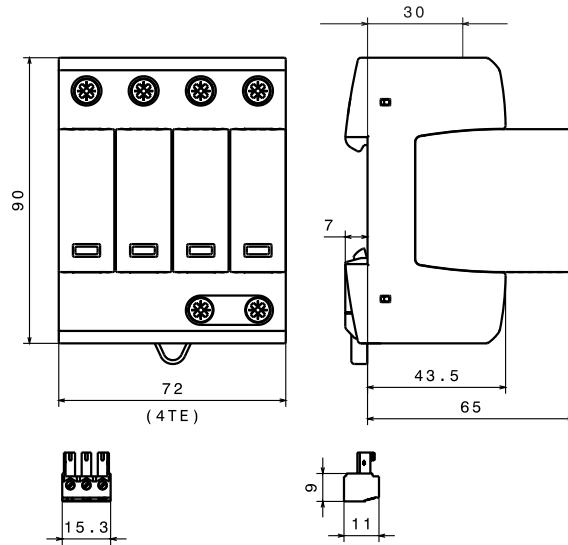


### BSPM\_ \_ \_ WYNG, BSPM\_ \_ \_ HLG

### Dimensions - mm



Shown with optional remote contact signaling

### Description

The Bussmann series 4-pole UL modular surge arresters for 120/240, 240/480Vac 3-phase Highleg Delta and 120/208, 127/220, 277/480 and 347/600Vac 3-phase 4 wire Wye systems feature local, *easyID™* visual indication and optional remote contact signaling. The unique module locking system fixes the protection module to the base part. Modules can be easily replaced without tools by simply depressing the release buttons. Integrated mechanical coding between the base and protection module ensures against installing an incorrect replacement module.

### Features

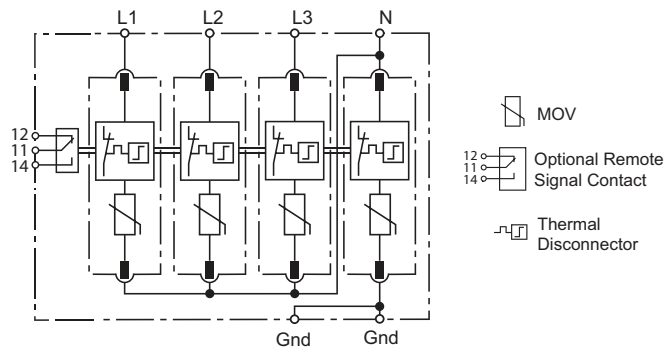
- Surge arrester according to UL 1449 3<sup>rd</sup> Edition, Type 2 Component Assembly helps meet UL 508A requirements
- Heavy-duty metal oxide varistors for high discharge capacity
- "Thermo Dynamic Control" SPD monitoring device ensures high reliability against surge events
- Module locking system with module release button make module replacement easy without tools
- Up to 200kA Short-Circuit Current Rating (SCCR) make higher *assembly* SCCR ratings possible
- Optional remote signaling of all protection modules make status monitoring easy and accurate in any monitoring scheme
- No additional upstream overcurrent protection necessary to make installation easier and more economical
- Vibration and shock tested according to EN 60068-2 to withstand harsh environments

### Optional remote signaling Form C contact

The remote signaling contact versions have a floating changeover contact for use as a break or make contact for easy adoption in any monitoring application.

Data Sheet: 2152

### Circuit diagram



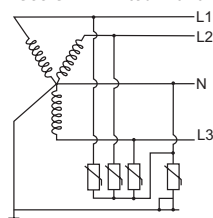
### BSPM4208WYNG, BSPM4480WYNG, BSPM4600WYNG, BSPM4240HLG, BSPM4480HLG

Shown with optional remote contact signaling

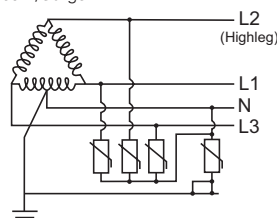
For remote signaling contact, add "R" suffix to the part number, E.g., BSPM4480HLGR

Ordering information							
Nominal system voltage		120/208Vac, 127/220Vac	120/240Vac	240/480Vac	277/480Vac	347/600Vac	
Max. Continuous Operating AC Voltage MCOV		[L-N]/[L-G]	275/550Vac	275/550Vac	385/770Vac	385/660Vac	
		[N-G]/[L-L]	275/550Vac	275/550Vac	385/770Vac	275/770Vac	
		[H-N]/[H-G]	—	275/550Vac	600/985Vac	—	—
		[H-L]	—	550Vac	985Vac	—	—
Catalog numbers		Without remote signaling	BSPM4208WYNG	BSPM4240HLG	BSPM4480HLG	BSPM4480WYNG	
		With remote signaling	BSPM4208WYNGR	BSPM4240HLGR	BSPM4480HLGR	BSPM4480WYNGR	BSPM4600WYNGR
Replacement modules MOV technology four (4) total required		Module positions		L1 or L3	BPM275UL	BPM275UL	
				L2	BPM275UL	BPM275UL	
				N	BPM275UL	BPM275UL	
Specifications							
Rated Voltage		120/208Vac, 127/220Vac	120/240Vac	240/480Vac	277/480Vac	347/600Vac	
Voltage Protection Rating VPR		[L-N/L-G]	1kV/1.8kV	1kV/1.8kV	1.5kV/2.5kV	1.5kV/2.5kV	
		[N-G/L-L]	1kV/1.8kV	1kV/1.8kV	1.5kV/2.5kV	1kV/2.5kV	
		[H-N/H-G]	—	1kV/1.8kV	2kV/3kV	—	—
		[H-L]	—	1.8kV	3kV	—	—
Short-Circuit Current Rating (SCCR)		200kA	200kA	125kA	200kA	125kA	
Nominal discharge current ( $I_n$ )		20kA					
Surge current capacity ( $I_{max}$ )		40kA					
Response time ( $t_A$ )		≤25ns					
Frequency		50/60Hz					
Number of poles		4					
Number of wires/connection points		4 wires / 5 connection points					
Operating temperature range		-40°C to +80°C					
Operating state/fault indication		Green (good) / Red (replace)					
Cross-sectional area (minimum)		14AWG - Cu stranded, solid or fine					
Cross-sectional area (maximum)		2AWG - Cu solid or stranded, 4AWG - Cu fine					
Terminal torque		45 lb-In					
Mounting		35mm DIN-Rail per EN 60715					
Enclosure material		Thermoplastic, UL 94V0					
Degree of protection		IP20 (finger-safe)					
Location category		Indoor					
Capacity		4 modules, DIN 43880					
Application		UL Type 4 for Type 2 applications					
Agency information		cURus, CSA, RoHS compliant					
Standard		UL 1449, 3 <sup>rd</sup> Edition					
Warranty		Five years*					
Remote contact signaling							
Remote contact signaling type		Changeover contact					
AC switching capacity (volts/amperes)		250V/0.5A					
DC switching capacity (volts/amperes)		250V/0.1A; 125V/0.2A; 75V/0.5A					
Conductor ratings and cross-sectional area for remote contact signal terminals		60/75°C Maximum 14AWG solid/stranded					
Ordering information		Order from catalog numbers above					

\*See SPD Limited Warranty Statement (3A1502) for details at [www.cooperbusmann.com/Surge](http://www.cooperbusmann.com/Surge).



120/208V, 127/220V, 277/480V, 347/600Vac  
Wye 3-phase, 4 wire + ground  
BSPM4208WYNG, BSPM4480WYNG,  
BSPM4600WYNG



120/240V, 240/480Vac  
Highleg Delta, 3-phase, 4 wire + ground  
BSPM4240HLG, BSPM4480HLG

See document 3A1639 for black label four-pole UL SCCR rated BSPM installation instructions.

**Data Sheet: 2152**