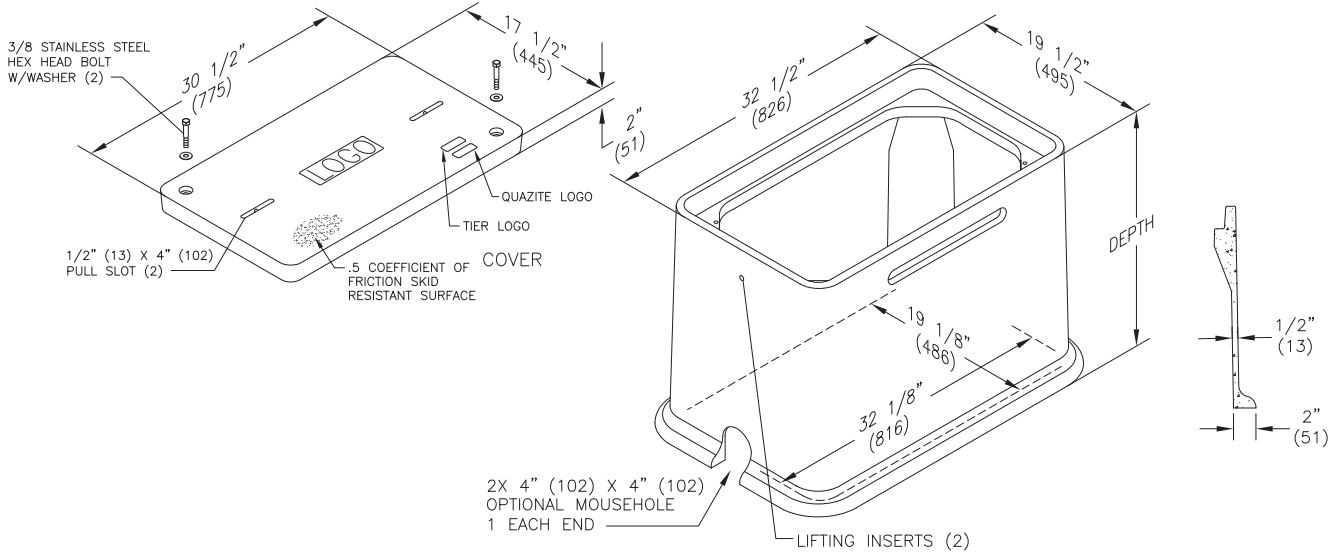


# Dimensions / Data

## 17" x 30" PD Style Polymer Concrete (Stackable) Assembly

**Hex Head Bolts are Standard**



### Covers

	DESCRIPTION	TIER	DESIGN / TEST LOAD #	WEIGHT #	PALLET QTY	PART NO.
UL	W/ 2 Bolts	8	8,000 / 12,000	52	20	PG1730CA00**
UL	W/ 2 Bolts	15	15,000 / 22,500	83	20	PG1730HA00**
UL	W/ 2 Bolts	22	22,500 / 33,750	83	20	PG1730HH00**
UL	No Bolts	8	8,000 / 12,000	52	20	PG1730WA00**

To order gasketed covers, replace the letter "A" with the letter "G".  
Replace \*\* with a logo code found on page 18.

### Boxes

	DESCRIPTION	DEPTH	TIER	DESIGN / TEST LOAD #	WEIGHT #	PALLET QTY	PART NO.
UL	Standard Open Bottom	18"	22	22,500 / 33,750	129	4	PD1730BA18
UL	Open Bottom	26"	22	22,500 / 33,750	166	4	PD1730BA26

To order boxes with 2 standard mouseholes, replace the letter "A" with the letter "B".  
To order gasketed boxes, replace the letter "A" with the letter "G".

NOTE: Gasketed covers and bolt grommets must be used with a gasketed box. Gaskets reduce the inflow of fluids but do not make the enclosure water tight.



**Most commonly used cover logos are shown below.  
Custom Logos are available. Contact your Quazite/Hubbell Representative.**

## PENCELL COVER OPTIONS

### LOGOS

PENCELL LOGO CODES	DESCRIPTION
009	BLANK
010	CATV
012	COMMUNICATIONS
014	CONTROLS
017	ELECTRIC
021	FIBER OPTICS
022	FIRE ALARM
023	GAS
024	GROUND
026	HIGH VOLTAGE
029	LIGHTING
036	SECURITY
038	SIGNAL
040	STATE TRAFFIC SIGNAL
041	STREET LIGHTING
042	TELECOM
043	TELEPHONE
044	TRAFFIC
045	TRAFFIC CONTROL
046	TRAFFIC SIGNAL
048	TV
050	WATER
057	EMERGENCY
065	ILLUMINATION
081	DANGER HIGH VOLTAGE
084	POWER
092	TELECOMMUNICATIONS
03A	DOT
06B	INSTRUMENTATION
0ZA	IRRIGATION
K91	RECLAIMED WATER
KH1	FIBEROPTIC
5P3	ELECTRIC WARNING DO NOT OPEN

PENCELL

