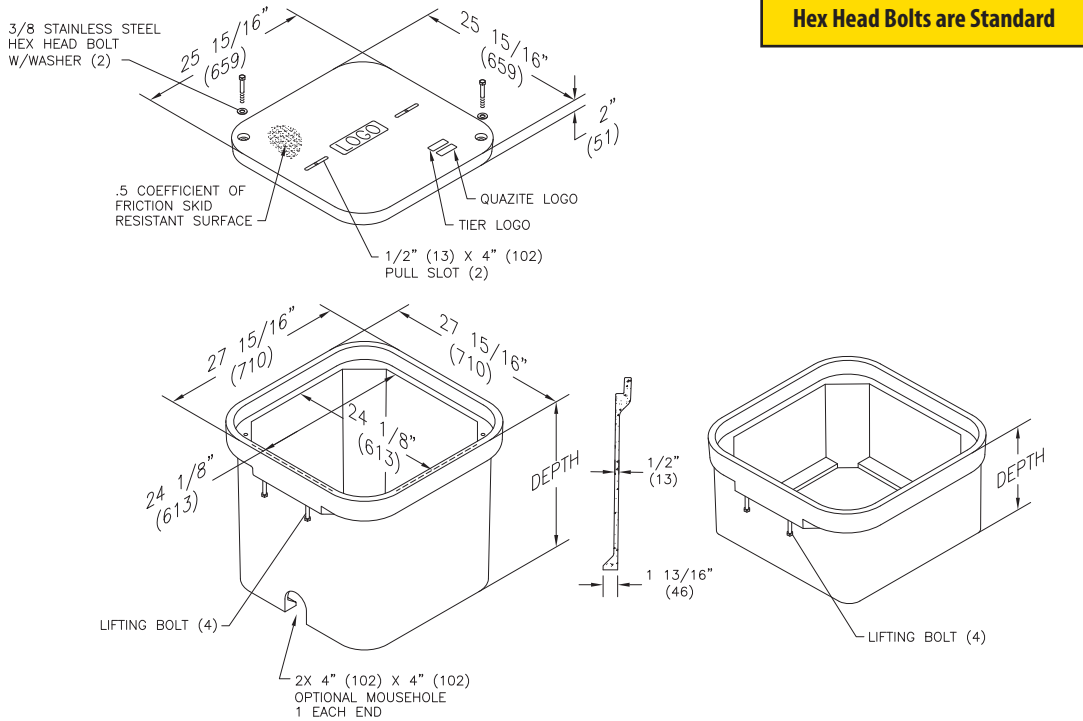


# Dimensions / Data

## 24" x 24" PG Style Polymer Concrete (Stackable) Assembly



### Covers

	DESCRIPTION	TIER	DESIGN / TEST LOAD #	WEIGHT #	PALLET QTY	PART NO.
UL	W/ 2 Bolts	8	8,000 / 12,000	70	10	PG2424CA00**
UL	W/ 2 Bolts	15	15,000 / 22,500	100	10	PG2424HA00**
UL	No Bolts	8	8,000 / 12,000	70	10	PG2424WA00**
UL	W/ 2 Bolts	22	22,500 / 33,750	100	10	PG2424HH00**

To order gasketed covers, replace the letter "A" with the letter "G".  
 Replace \*\* with a logo code found on page 18.  
 NOTE: Gasketed covers and bolt grommets must be used with a gasketed box. Gaskets reduce the inflow of fluids but do not make the enclosure water tight.

### Boxes

	DESCRIPTION	DEPTH	TIER	DESIGN / TEST LOAD #	WEIGHT #	PALLET QTY	PART NO.
UL	Standard Open Bottom	24"	22	22,500 / 33,750	165	2	PG2424BA24
UL	Solid Bottom	24 1/2"	22	22,500 / 33,750	185	2	PG2424DA24

To order boxes with 2 standard mouseholes, replace the letter "A" with the letter "B".  
 To order gasketed boxes, replace the letter "A" with the letter "G".  
 NOTE: Gasketed covers and bolt grommets must be used with a gasketed box. Gaskets reduce the inflow of fluids but do not make the enclosure water tight.

### Extensions ( Stackable - can be used as a top or bottom extension)

	DESCRIPTION	DEPTH	TIER	DESIGN / TEST LOAD #	WEIGHT #	PALLET QTY	PART NO.
	Open Bottom	8"	22	22,500 / 33,750	71	8	PG2424EA06
	Open Bottom	14"	22	22,500 / 33,750	112	6	PG2424EA12
	Solid Bottom	8 1/2"	22	22,500 / 33,750	96	8	PG2424RA06
	Solid Bottom	14 1/2"	22	22,500 / 33,750	130	6	PG2424RA12