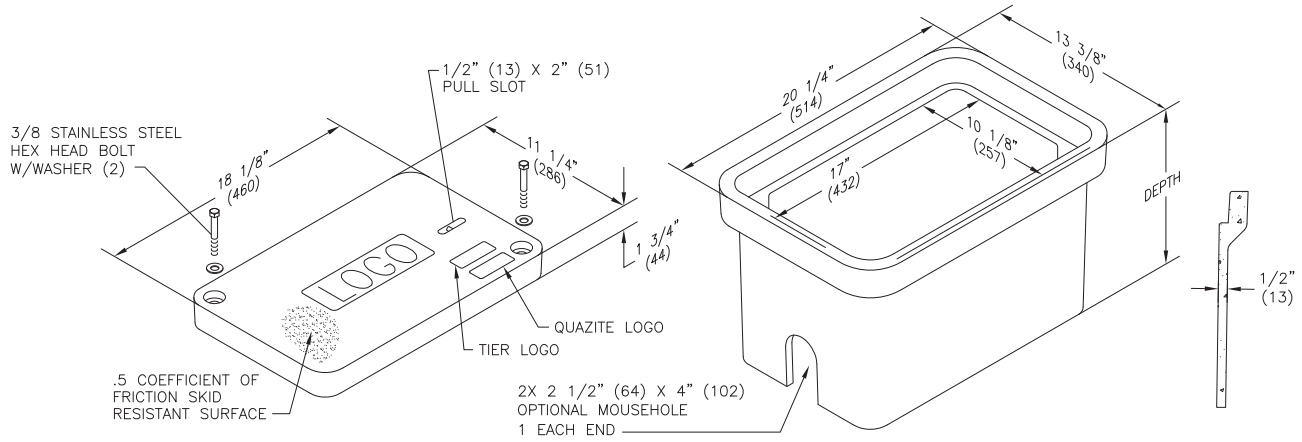


Dimensions / Data

11" x 18" PG Style Polymer Concrete (Stackable) Assembly

Hex Head Bolts are Standard



Covers

	DESCRIPTION	TIER	DESIGN / TEST LOAD #	WEIGHT #	PALLET QTY	PART NO.
UL	W/ 2 Bolts	8	8,000 / 12,000	27	40	PG1118CA00**
UL	W/ 2 Bolts	15	15,000 / 22,500	27	40	PG1118HA00**
UL	No Bolts	8	8,000 / 12,000	27	40	PG1118WA00**
UL	W/ 2 Bolts	22	22,500 / 33,750	27	40	PG1118HH00**

To order gasketed covers, replace the letter "A" with the letter "G".

Replace ** with a logo code found on page 18.

NOTE: Gasketed covers and bolt grommets must be used with a gasketed box. Gaskets reduce the inflow of fluids but do not make the enclosure water tight.

Boxes

	DESCRIPTION	DEPTH	TIER	DESIGN / TEST LOAD #	WEIGHT #	PALLET QTY	PART NO.
UL	Standard Open Bottom	12"	22	22,500 / 33,750	40	30	PG1118BA12
UL		18"		22,500 / 33,750	53	24	PG1118BA18
UL	Solid Bottom	12 1/2"	22	22,500 / 33,750	43	30	PG1118DA12
UL		18 1/2"		22,500 / 33,750	60	24	PG1118DA18
UL	Footed Box	12 1/2"	22	22,500 / 33,750	41	30	PG1118JA12
UL		18 1/2"		22,500 / 33,750	55	24	PG1118JA18

To order boxes with 2 standard mouseholes, replace the letter "A" with the letter "B".

To order gasketed boxes, replace the letter "A" with the letter "G".

NOTE: Gasketed covers and bolt grommets must be used with a gasketed box. Gaskets reduce the inflow of fluids but do not make the enclosure water tight.