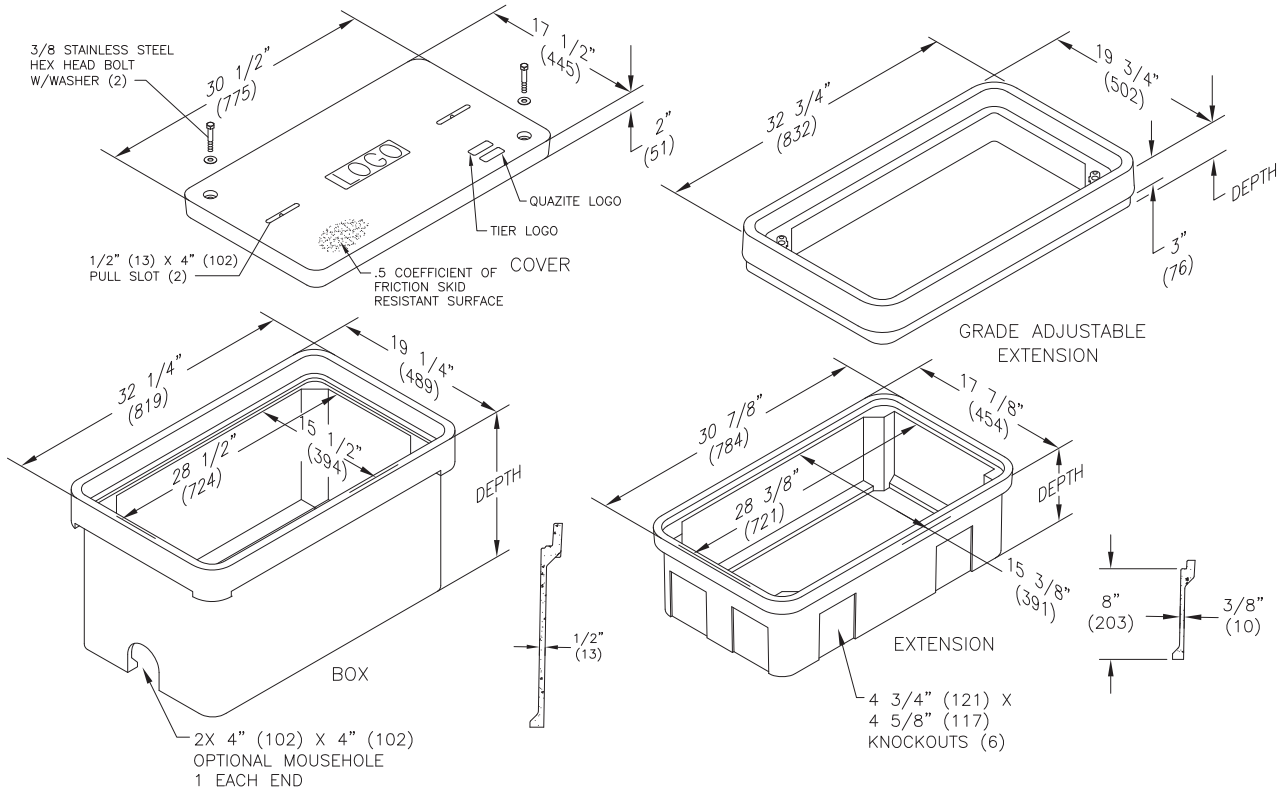


Dimensions / Data

17" x 30" PG Style Polymer Concrete (Stackable) Assembly

Hex Head Bolts are Standard



Covers

	DESCRIPTION	TIER	DESIGN / TEST LOAD #	WEIGHT #	PALLET QTY	PART NO.
UL	W/ 2 Bolts	8	8,000 / 12,000	52	20	PG1730CA00**
UL	W/ 2 Bolts	15	15,000 / 22,500	83	20	PG1730HA00**
UL	W/ 2 Bolts	22	22,500 / 33,750	83	20	PG1730HH00**
UL	No Bolts	8	8,000 / 12,000	52	20	PG1730WA00**

To order gasketed covers, replace the letter "A" with the letter "G".

Replace ** with a logo code found on page 18.

NOTE: Gasketed covers and bolt grommets must be used with a gasketed box. Gaskets reduce the inflow of fluids but do not make the enclosure water tight.

QUAZITE

Dimensions / Data 17" x 30" PG Style Polymer Concrete (Stackable) Assembly (Continued)

Hex Head Bolts are Standard

Boxes (Box depths 22" thru 30" must be used as bottom of any stack)

DESCRIPTION	DEPTH	TIER	DESIGN / TEST LOAD #	WEIGHT #	PALLET QTY	PART NO.
 Standard Open Bottom	12"	22	22,500 / 33,750	67	10	PG1730BA12
	18"		22,500 / 33,750	94	8	PG1730BA18
	22"		22,500 / 33,750	106	6	PG1730BA22
	24"		22,500 / 33,750	122	6	PG1730BA24
	30"		22,500 / 33,750	144	4	PG1730BA30
 Solid Bottom	12 1/2"	22	22,500 / 33,750	85	10	PG1730DA12
	18 1/2"		22,500 / 33,750	112	8	PG1730DA18
	22 1/2"		22,500 / 33,750	124	6	PG1730DA22
	24 1/2"		22,500 / 33,750	137	6	PG1730DA24
	30 1/2"		22,500 / 33,750	150	4	PG1730DA30

To order boxes with 2 standard mouseholes, replace the letter "A" with the letter "B".
 To order gasketed boxes, replace the letter "A" with the letter "G".
 NOTE: Gasketed cover and bolt grommets must be used with a gasketed box. Gaskets reduce the inflow of fluids but do not make the enclosure water tight.

Bottom Extensions (for use under 12" and 18" boxes only, one per box)

DESCRIPTION	DEPTH	TIER	DESIGN / TEST LOAD #	WEIGHT #	PALLET QTY	PART NO.
Open bottom	8 3/4"	22	22,500 / 33,750	36	12	PG1730EA08
Solid bottom	9 1/4"	22	22,500 / 33,750	55	12	PG1730RA08

Grade Adjustable Extension (for use on top of box only, one per box)

DESCRIPTION	DEPTH	TIER	DESIGN / TEST LOAD #	WEIGHT #	PALLET QTY	PART NO.
3" Top extension	5 1/8"	22	22,500 / 33,750	48	12	PG1730ED03

QUAZITE

