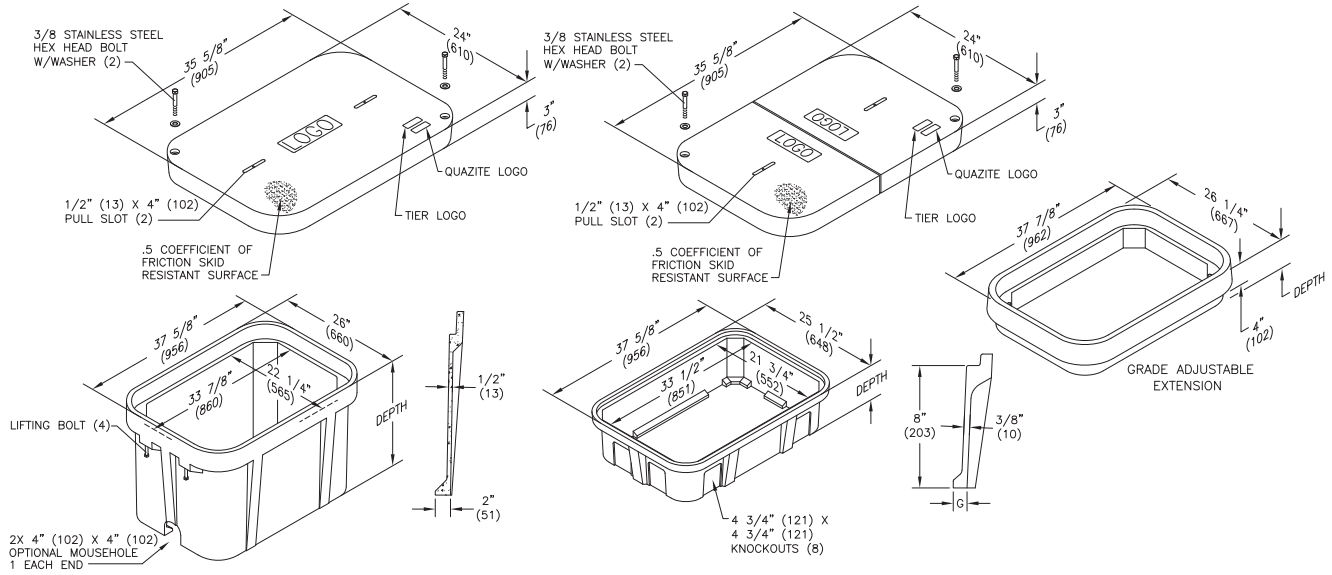


Dimensions / Data

24" x 36" PG Style Polymer Concrete (Stackable) Assembly

Hex Head Bolts are Standard



Covers

	DESCRIPTION	TIER	DESIGN / TEST LOAD #	WEIGHT #	PALLET QTY	PART NO.
UL	W/ 2 Bolts	8	8,000 / 12,000	100	10	PG2436CA00**
	2 piece w/2 Bolts	8	8,000 / 12,000	122	10	PG2436CS00**
UL	W/ 2 Bolts	15	15,000 / 22,500	115	10	PG2436HA00**
UL	2 piece w/2 Bolts	15	15,000 / 22,500	122	10	PG2436HS00**
UL	W/ 2 Bolts	22	22,500 / 33,750	122	10	PG2436HH00**
UL	No Bolts	8	8,000 / 12,000	100	10	PG2436WA00**

To order gasketed covers, replace the letter "A" with the letter "G".

Replace ** with a logo code found on page 18.

NOTE: Gasketed covers and bolt grommets must be used with a gasketed box. Gaskets reduce the inflow of fluids but do not make the enclosure water tight.

Dimensions / Data 24" x 36" PG Style Polymer Concrete (Stackable) Assembly (Continued)

Hex Head Bolts are Standard

Boxes (Box depths 24" thru 42" must be used as bottom of any stack)

	DESCRIPTION	DEPTH	TIER	DESIGN / TEST LOAD #	WEIGHT #	PALLET QTY	PART NO.
UL	Standard Open Bottom	18"	22	22,500 / 33,750	141	4	PG2436BA18
		24"		22,500 / 33,750	180	3	PG2436BA24
		30"		22,500 / 33,750	196	2	PG2436BA30
		36"		22,500 / 33,750	254	2	PG2436BA36
		42"		22,500 / 33,750	293	1	PG2436BA42
UL	Solid Bottom	18 1/2"	22	22,500 / 33,750	171	4	PG2436DA18
		24 1/2"		22,500 / 33,750	228	3	PG2436DA24
		30 1/2"		22,500 / 33,750	238	2	PG2436DA30
		36 1/2"		22,500 / 33,750	282	2	PG2436DA36
		42 1/2"		22,500 / 33,750	321	1	PG2436DA42

To order boxes with 2 standard mouseholes, replace the letter "A" with the letter "B".

To order gasketed boxes, replace the letter "A" with the letter "G".

NOTE: 24" thru 42" boxes must be used as bottom on any stack.

NOTE: Gasketed covers and bolt grommets must be used with a gasketed box. Gaskets reduce the inflow of fluids but do not make the enclosure water tight.

Bottom Extensions (for use under 12" and 18" boxes only, one per box)

DESCRIPTION	DEPTH	TIER	DESIGN / TEST LOAD #	WEIGHT #	PALLET QTY	PART NO.
Open bottom	8 3/4"	22	22,500 / 33,750	81	6	PG2436EA08
Solid bottom	9 1/4"	22	22,500 / 33,750	95	6	PG2436RA08

Grade Adjustable Extension

DESCRIPTION	DEPTH	TIER	DESIGN / TEST LOAD #	WEIGHT #	PALLET QTY	PART NO.
4" top extension, 1/2 thread	7 1/8"	22	22,500 / 33,750	80	6	PG2436ED04
4" top extension, 3/8 thread	7 1/8"	22	22,500 / 33,750	80	6	PG2436E503