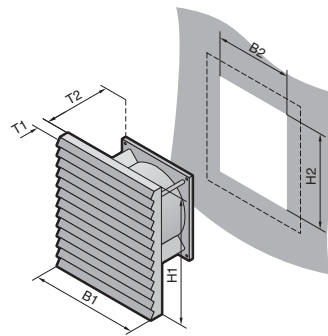


Fan-and-filter units

Air throughput 20/55 m³/h



B = Width
T = Depth

Supply includes:
Fan-and-filter units ready for installation, including filter mats.

German registered design no. M 93 04 846

Approvals,
see page 85.

Performance diagrams,
available on the Internet.

Model No. fan-and-filter unit SK	3321.107	3321.117	3321.027	3321.047 ¹⁾	3322.107	3322.117	3322.027	3322.047 ¹⁾
Rated operating voltage V, Hz	230, 50/60	115, 50/60	24 (DC)	48 (DC)	230, 50/60	115, 50/60	24 (DC)	48 (DC)
Dimensions in mm	B1/H1	116.5			148.5			
	B2/H2	92 + 0.8 ²⁾			124 ²⁾			
	T1	10			10.5			
Max. installation depth mm	T2	42			57			
Air throughput, unimpeded air flow	20/25 m³/h		20 m³/h		55/66 m³/h		55 m³/h	
Air throughput with outlet filter including standard filter mat	1 x SK 3321.207: 15/18 m³/h				1 x SK 3322.207: 43/50 m³/h			

Axial fan	Self-starting shaded pole motor		DC motor		Self-starting shaded pole motor		DC motor	
Rated current max.	69 mA 58 mA	138 mA 115 mA	125 mA	90 mA	0.12 A 0.11 A	0.24 A 0.23 A	0.35 A	90 mA
Power	12.5 W/10.3 W		3.0 W	4.1 W	19.0 W/18.0 W		7.7 W	4.4 W
Noise level	41/46 dB (A)		41 dB (A)		46/49 dB (A)		46 dB (A)	
Temperature range	-10°C to +55°C							
Colour	RAL 7035 ³⁾							
Protection category to EN 60 529/09.2000	IP 54 standard IP 56 when using a hose-proof hood							

Model No. outlet filter SK	3321.207				3322.207					
Accessories	Packs of								Page	
Spare filter mats	5	3321.700				3322.700				725
Thermostat	1	3110.000								715
Temperature indicator	1	3114.100	3114.115	3114.024	-	3114.100	3114.115	3114.024	-	714
Speed control	1	3120.000	3120.115	-	-	3120.000	3120.115	-	-	716
Hose-proof hood	1	3321.800				3322.800				721

¹⁾ Delivery times on request.
²⁾ For metal thickness > 2.5 mm the cut-out B2/H2 must be 1 mm larger.
³⁾ RAL 7032 on request.
 Special voltages available on request. We reserve the right to make technical modifications.