



Islatrol™ IC+/LRIC+ Series Active Tracking Filter™

Series connected high-frequency noise filter with transient protection. Offers the flexibility of either receptacle/line cord connection or hard-wired connection to critical loads (up to 30 Amperes). Applications include industrial or office equipment, computers placed in harsh environments.

Features

- Typically reduces normal mode transients to +/-2 volts
- Surge current capacity – 45,000 Amps
- Transient protection in all modes: line to neutral, line to ground, and neutral to ground
- LED power indication
- UL 1283, CSA recognized
- 10 year warranty

MCOV	
120 Volt	150 VRMS
240 Volt	275 VRMS
Line Frequency	
47 - 63 Hz	
Response Time	
Normal Mode	< 0.5 ns
Common Mode	< 5 ns
Operating Temperature	
-40°C to +45°C at Full Load Derate Linearly to 60% at +70°C	
Operating Humidity	
0% to 95%	
Peak Surge Current Capability (8 x 20 μs)	
Line to Neutral	15,000 Amps
Line to Ground	15,000 Amps
Neutral to Ground	15,000 Amps
Load Surge Current Rating	
10 mSec	5 x Nominal
1 sec	3 x Nominal
10 sec	2 x Nominal
Packaging	
<ul style="list-style-type: none"> • High Impact Plastic Case • Vacuum Impregnated Magnetics • Epoxy Encapsulated 	
Frequency Response (Forward-Reverse)	
Normal Mode	100 kHz to 50 MHz - 90 dB Min
Common Mode	5 MHz to 50 MHz - 60 dB Min

Typical Category A Ringwave (6 kV, 200 A, 100 kHz)

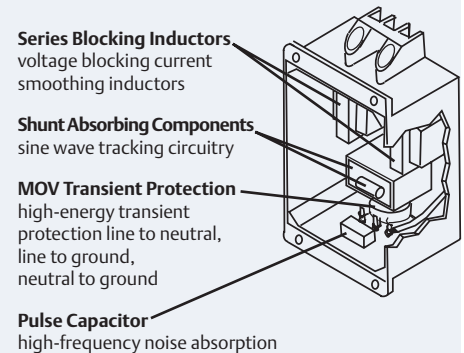
Model	Normal	Common
IC+102 / LRIC+102	1.0 / 0.9	302 / 287
IC+105 / LRIC+105	0.7 / 0.8	292 / 307
IC+107 / LRIC+107	0.7 / 0.7	302 / 293
IC+115 / LRIC+115	0.7 / 0.7	304 / 306
IC+130 / IC+202	0.5 / 1.1	306 / 536
IC+205 / IC+207	1.5 / 0.8	628 / 616
IC+215 / IC+230	0.6 / 0.9	572 / 566

Typical Category B Ringwave (6 kV, 500 A, 100 kHz)

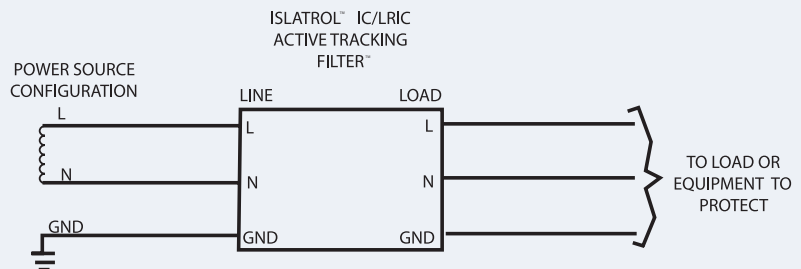
Model	Normal	Common
IC+102 / LRIC+102	178 / 188	302 / 285
IC+105 / LRIC+105	162 / 191	291 / 300
IC+107 / LRIC+107	173 / 190	300 / 298
IC+115 / LRIC+115	153 / 149	307 / 309
IC+130 / IC+202	241 / 302	299 / 532
IC+205 / IC+207	378 / 336	594 / 596
IC+215 / IC+230	272 / 342	548 / 578

Note: All measurements in volts. IEEE test results with no AC applied. Normal mode—L1-N or L1-L2; Common mode—L-G, N-G or L1-G, L2-G.

System Design



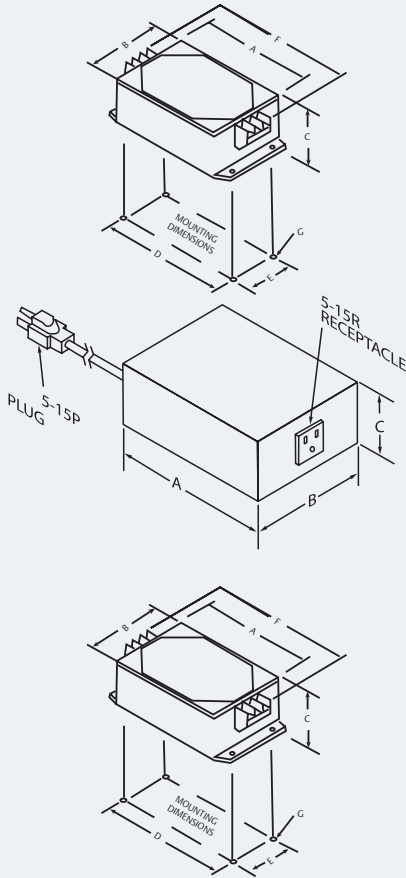
Connection Diagram



Islatrol™ IC+/LRIC+ Series

Active Tracking Filter™

Dimensional Diagram



Ordering Information

120 VAC Models with barrier strip at input and output/with wire leads at input and output (WL)

Model	Rated Output (Amps)	Case Dimensions (In) A x B x C	Mounting Flange Dimensions (In) D x E x F x G	Screw Size	Weight (lbs)
IC+102 / IC+102WL	2.5	4 x 2.88 x 1.81	4.38 x 2.12 x 5.31 x 0.19	#6	1.0
IC+105 / IC+105WL	5.0	4 x 2.88 x 1.81	4.38 x 2.12 x 5.31 x 0.19	#6	1.3
IC+107 / IC+107WL	7.5	4.75 x 4.75 x 2.35	5.25 x 3.50 x 6.25 x 0.19	#6	2.0
IC+115 / IC+115WL	15	6.25 x 4.75 x 2.35	6.75 x 3.50 x 7.75 x 0.19	#8	3.5
IC+130 / IC+130WL	30	7.75 x 4.75 x 2.35	8.25 x 3.50 x 9.00 x 0.19	#8	6.0

120 VAC Models with 5 foot line cord and single NEMA 5-15 receptacle

Model	Rated Output (Amps)	Case Dimensions (In) A x B x C	Mounting Flange Dimensions (In) D x E x F x G	Screw Size	Weight (lbs)
LRIC+102	2.5	4.5 x 3.0 x 1.88	N/A	N/A	1.3
LRIC+105	5.0	4.5 x 4.5 x 2.38	N/A	N/A	2.0
LRIC+107	7.5	6.0 x 4.5 x 2.38	N/A	N/A	2.3
LRIC+115	15	7.5 x 4.5 x 2.38	N/A	N/A	4.0

240 VAC Models with barrier strip at input and output/with wire leads at input and output (WL)

Model	Rated Output (Amps)	Case Dimensions (In) A x B x C	Mounting Flange Dimensions (In) D x E x F x G	Screw Size	Weight (lbs)
IC+202 / IC+202WL	2.5	4 x 2.88 x 1.81	4.38 x 2.12 x 5.31 x 0.19	#6	1.3
IC+205 / IC+205WL	5.0	4.75 x 4.75 x 2.35	5.25 x 3.50 x 6.25 x 0.19	#6	2.0
IC+207 / IC+207WL	7.5	6.25 x 4.75 x 2.35	6.75 x 3.50 x 7.75 x 0.19	#8	3.3
IC+215 / IC+215WL	15	7.75 x 4.75 x 2.35	8.25 x 3.50 x 9.00 x 0.19	#8	5.8
IC+230 / IC+230WL	30	7.75 x 4.75 x 2.35	8.25 x 3.50 x 9.00 x 0.19	#8	6.0

Islatrol™ Active Tracking Filters™ carry a 10 year warranty