

# MUH UNIT HEATERS

## APPLICATIONS

Unit mounts either horizontally or vertically. Totally versatile. For factories, warehouses, garages, stores, shipping rooms, power stations, aircraft hangers. Can be used for primary, supplementary, spot, or dual-system heating.

## FEATURES

- Wide range of optional control kits are field installable, increasing the MUH adaptability to the specification market.
- Forced air unit heater with 10 power ratings; from 3KW to 50 KW heating output; 208, 240, 277 and 480V, 10,230 to 170,500 BTU/hr.
- 32 compatible models (no need to try to assemble a heating system from 70 or 80 models!)
- Heavy gauge die-formed steel housing. Front & back case is Neutral Grey color while the wrap around steel section is Statuary Bronze color. Small to medium case construction is 20ga. Steel. the larger cabinet is 18 ga. Steel.
- Advanced pull-through air flow design draws air across heating element for more even air distribution and cooler element operation.
- Specially designed venturi outlet to meet that added throw as required in vertical position.

- Branch circuit fusing (when required).
- Completely enclosed fan motor.
- 1- or 3-phase wiring on 5 through 10 KW 208/240V and 15 KW 208V units (field interchangeable).
- Aluminum-finned, copper clad steel sheath heating element has longer useful life, because of cooler sheath temperature and faster heat dissipation.
- 24V control transformer standard on most models, providing a safer and more accurate means of temperature control. 3KW and 5KW, 208-277V, have line voltage controls as standard (24V control available on made-to-order basis).
- Automatic reset linear thermal cut-out, capillary type, provides protection over entire length of element areas (Manual reset protection available on made-to-order basis).
- 2-speed fan selector switch (25 to 50 KW models).
- Fan delay feature eliminates cold drafts. Element heats up before fan cuts in, then fan continues to distribute heat after element shuts off.
- Ruggedly built, yet lighter weight for easier installation. No piping flues, valves, or traps.
- Individually adjustable discharge louvers to control air flow.

- Choice of optional diffusers for variety of air patterns, maximizing heat concentration and coverage in the vertical position.
- Meets all UL, NEC, and OSHA requirements.

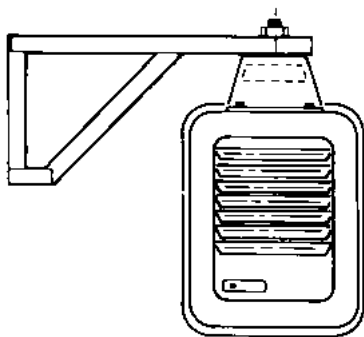


## UNIVERSAL WALL & CEILING BRACKET

CATALOG NUMBER	USED ON
B10	MUH03, 05, 07 & 10
B20	MUH15 & 20
B30	MUH25 & 30
B50	MUH40 & 50

## CEILING BRACKET

CATALOG NUMBER	USED ON
CMB10	MUH03, 05, 07 & 10
CMB20	MUH15 & 20
CMB30	MUH25 & 30
CMB50	MUH40 & 50



## MOUNTING LIMITATIONS

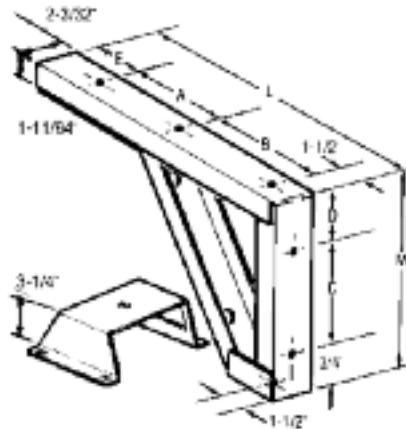
Unit heaters should not be used in potentially explosive atmospheres. The finish is not intended for direct salt spray exposure in marine applications or the highly corrosive atmospheres of swimming pools, chemical storage bins, etc. Do not install unit heaters above recommended maximum mounting height. Obstructions must not block unit heater air inlet or discharge. Heaters must be mounted at least 7' above the floor to prevent accidental contact with the heating element or fan blade which could cause injury.

## BRACKET SIZE

DIMENSION	3 - 20Kw	25 - 50Kw
A	7 <sup>1</sup> / <sub>4</sub> "	9 <sup>7</sup> / <sub>16</sub> "
B	9 <sup>1</sup> / <sub>2</sub> "	14 <sup>3</sup> / <sub>8</sub> "
C	7 <sup>1</sup> / <sub>4</sub> "	12 <sup>1</sup> / <sub>8</sub> "
D	1 <sup>15</sup> / <sub>16</sub> "	2 <sup>1</sup> / <sub>16</sub> "
E	2 <sup>1</sup> / <sub>4</sub> "	3"
L	20 <sup>1</sup> / <sub>2</sub> "	28 <sup>15</sup> / <sub>16</sub> "
M	9 <sup>15</sup> / <sub>16</sub> "	14 <sup>15</sup> / <sub>16</sub> "
N	3 <sup>1</sup> / <sub>4</sub> "	4 <sup>1</sup> / <sub>2</sub> "

## OPTIONAL VERTICAL CEILING MOUNTING BRACKET

CATALOG NUMBER	USED ON	STANDARD CARTON	
		QTY.	WT. LBS.
VDMB5	MUH03-05	1	5
VDMB20	MUH07-20	1	7
VDMB50	MUH25-50	1	9



## OPTIONAL BUILT-IN CONTROLS AND ACCESSORIES ON MUH HEATERS

FACTORY INSTALLED ONLY††
DESCRIPTION
MUH03 & 05 (208, 208/240, 277V Supply) 24 or 120V Control Transformer and Power Contactor 24 or 120V H.C. Power Contactor
MUH03 & 05 (480V Supply) & MUH07 thru MUH50, Optional 120V Control
2-Stage Control of Elements (See Note 5)
Manual Reset.
Outlet Mesh (Bird Screen) For all MUH Heaters

††Optional built-in controls and accessories factory installed only - Not to be field installed

## DIMENSIONS

CATALOG NUMBER	HEIGHT	WIDTH	DEPTH
MUH03 & 05	16"	14"	7 <sup>1</sup> / <sub>2</sub> "
MUH07 & 10	21 <sup>3</sup> / <sub>4</sub> "	19"	7 <sup>1</sup> / <sub>2</sub> "
MUH15 & 20	21 <sup>3</sup> / <sub>4</sub> "	19"	12 <sup>3</sup> / <sub>4</sub> "
MUH25 & 30	30"	26 <sup>5</sup> / <sub>8</sub> "	11 <sup>3</sup> / <sub>4</sub> "
MUH40 & 50	30"	26 <sup>5</sup> / <sub>8</sub> "	17 <sup>1</sup> / <sub>8</sub> "

## OPTIONAL DUST SHIELDS

CATALOG NUMBER	USED ON	WT. LBS.
JRDS8	MUH03-10	3.0
JRDS14	MUH15-20	6.0
JRDS19	MUH25-50	8.0

Dust shields have a two week lead time.

