

Weatherproof Metallic Covers

Universal Design Installs in Both Horizontal and Vertical Applications.

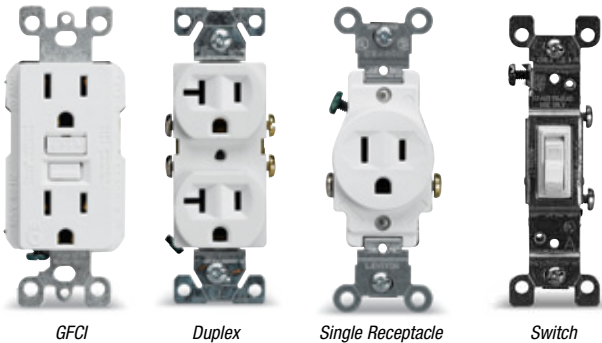
Universal Flip-Lid Weatherproof Cover

New Red•Dot® Universal Flip-Lid Weatherproof Covers save you time and money by reducing the number of items you have to inventory to complete a job. Capable of mounting either vertically or horizontally, the covers provide added versatility with innovative adapter plates to support all of the most common installation configurations — 12 with the single-gang cover and 25 with the 2-gang cover. Choose from silver, bronze or white covers.

Features:

- Included adapter plates offer 12 installation options with single-gang cover and 25 installation options with 2-gang cover
- Keyhole openings on back enable easy installation on an existing outlet
- Durable, die-cast zinc-alloy construction
- Suitable for use in wet locations with cover closed
- Available in silver, bronze and white
- Lockable for security when not in use
- Easy access to outlet with 130° opening
- Preconfigured for GFCI — the industry's most common outdoor application

Accommodates Multiple Outlet Configurations (receptacles not included)

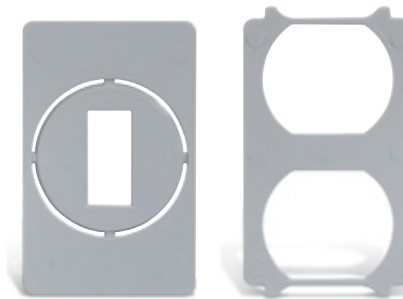


GFCI

Duplex

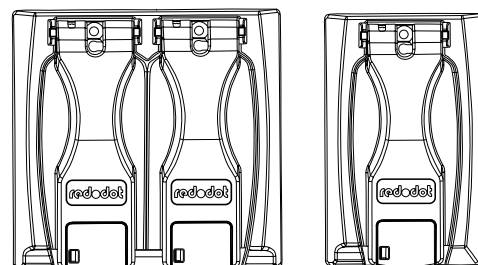
Single Receptacle

Switch



Includes Two Adapter Plates, Single Receptacle up to 1 1/16"

CAT. NO.	DESCRIPTION	STD. CTN.
CCU	Single-Gang Cover (installs vertically or horizontally) — Silver	50
DCCU	D-PAK® — Single-Gang Cover, Silver	25
DCCU-BR	D-PAK® — Single-Gang Cover, Bronze	25
DCCU-WH	D-PAK® — Single-Gang Cover, White	25
2CCU	2-Gang Cover — Silver	10
2CCU-BR	2-Gang Cover — Bronze	10
2CCU-WH	2-Gang Cover — White	10



Boxes & Covers — Red•Dot® Weatherproof

Weatherproof Metallic Covers

Single-Gang Device Covers



CCD

CAT. NO.	COLOR	DESCRIPTION
Duplex Receptacle Cover, Horizontal		
CCD	Silver	Device Mount
CCD-L	Silver	Device Mount with Lock Option
CCD-FS	Silver	Box Mount
WR81-CN	Natural	Cover, Stay-Open Lid
WRH80-C	Gray	Cover, Self-Closing Lids

D-PAK®

DCCD-P	Silver	Non-Metallic Device Mount
DCCD	Silver	Device Mount
DCCD-BR	Bronze	Device Mount
DCCD-WH	White	Device Mount
DCCDSO	Silver	Device Mount, Stay Open
DCCDSO-BR	Bronze	Device Mount, Stay Open
DCCDSO-WH	White	Device Mount, Stay Open

Duplex Receptacle Cover, Vertical

CCDV	Silver	Device Mount
CCDV-L	Silver	Device Mount with Lock Option

D-PAK®

DCCDV	Silver	Device Mount
DCCDV-BR	Bronze	Device Mount
DCCDV-WH	White	Device Mount

GFCI Receptacle Cover, Horizontal

CCG	Silver	Device Mount
CCG-FS	Silver	Box Mount

D-PAK®

DCCG	Silver	Device Mount
DCCG-BR	Bronze	Device Mount
DCCG-WH	White	Device Mount

GFCI Receptacle Cover, Vertical

CCGV	Silver	Device Mount
CCGV-L	Silver	Device Mount with Lock Option

D-PAK®

DCCGV	Silver	Device Mount
DCCGV-BR	Bronze	Device Mount
DCCGV-WH	White	Device Mount



CCDV



CCG



CCGV



CCS



CCSV



CCSV-TL



CCMB



CCT-1

CAT. NO.	COLOR	DESCRIPTION
Single Receptacle Cover, Horizontal — 1.485" Diameter Opening		
CCS	Silver	Device Mount

Single Receptacle Cover, Vertical — 1.59"/2.156" Diameter Opening

CCSV	Silver	Device Mount
CCSV-L	Silver	Device Mount with Lock Option
CCPO	Silver	Power Outlet Cover with 2.156" Diameter Opening, Box Mount
CCPO-L	Silver	Box Mount with Lock Option

Single Receptacle Cover, Vertical — 1.59" Opening

CCSV-TL	Silver	Device Mount Integral Locking Hasp
---------	--------	------------------------------------

Motor Base Plug and Cover, Horizontal

CCMB	Silver	Device Mount 15A, 125V Motor Base Plug
------	--------	--

Switch Cover Only

CCT	Silver	Device Mount Switch Cover Only, Packed with Spacers and Screws
-----	--------	--

Switch Cover with Switch

CCT-1	Silver	Single-Pole 15A, 125V
CCT-1-20	Silver	Single-Pole 20A, 120-277V
CCT-3	Silver	3-Way Switch 15A, 125V

Note: Raintight when used with appropriate Red•Dot® boxes.

SW1	Silver	One-Gang Cover with 10A, 125V Single-Pole Switch
-----	--------	--

SW2	Silver	One-Gang Cover with 10A, 125V Double-Pole Switch
-----	--------	--

SW20-1/710	Silver	One-Gang Cover with 20A, 102/277V Single-Pole Switch (special oil- and gas-resistant gasket)
------------	--------	--

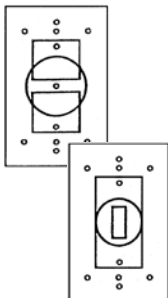
SW20-2	Silver	One-Gang Cover with 20A, 102/277V Double-Pole Switch
--------	--------	--

SW20-2/710	Silver	One-Gang Cover with 20A, 102/277V Double-Pole Switch (special oil- and gas-resistant gasket)
------------	--------	--

UL Listed E-18407.

CSA Certified LR-18685.

Note: All covers packed with gasket and screws.

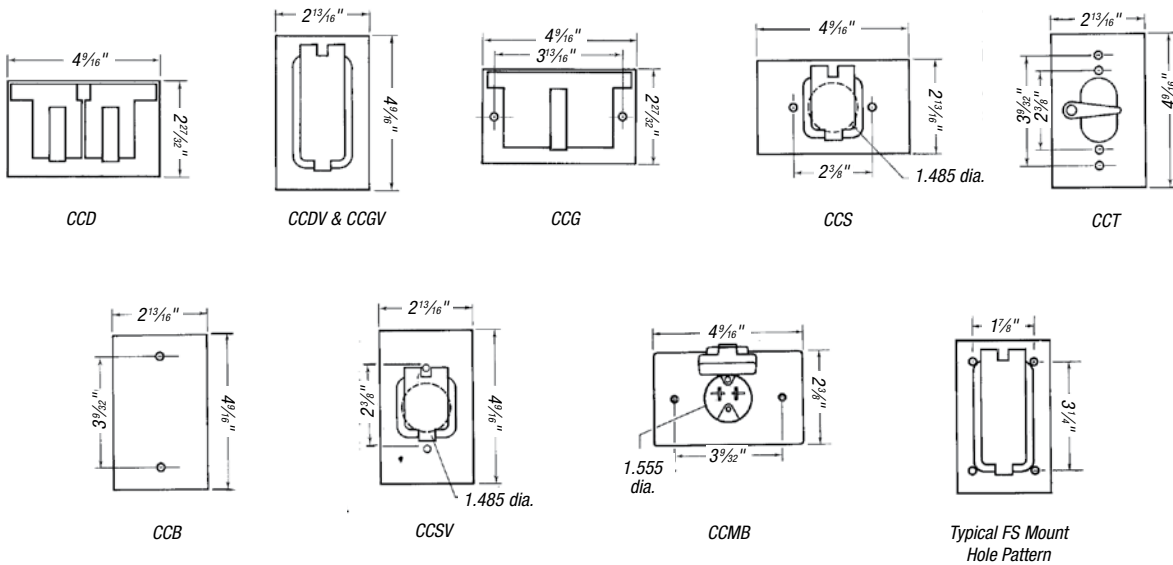


Single-Gang Gaskets

CAT. NO.	COLOR	DESCRIPTION
CCK	Black	Neoprene
CCSK	Black	Neoprene

Weatherproof Metallic Covers

Single-Gang Covers



Two- and Three-Gang Covers

