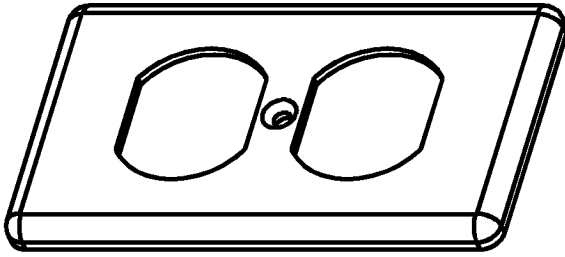
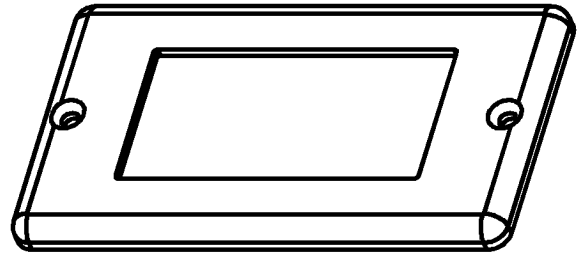


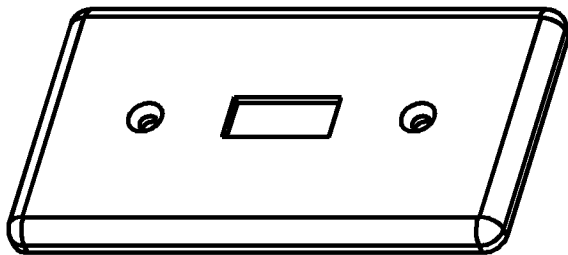
Carlton®



HB1DP



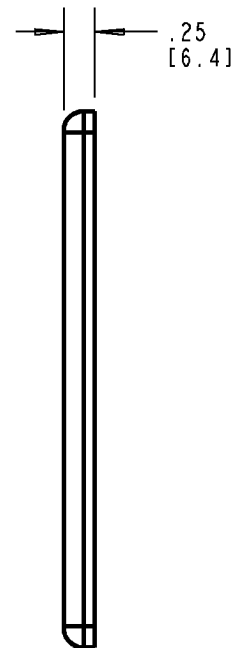
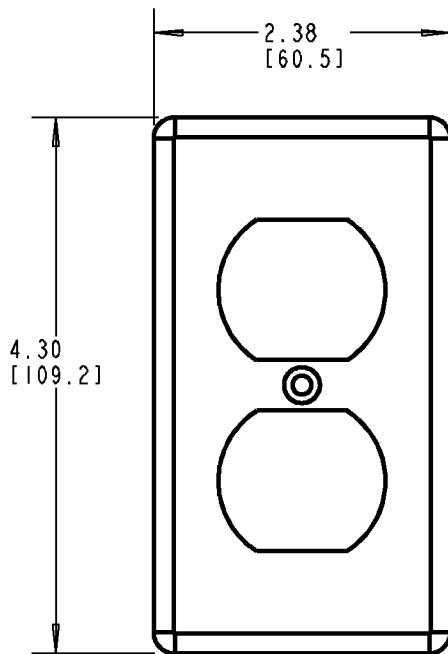
HB1GF



HB1SW



HB1BL
WITH 1/2" KNOCKOUT



Thomas & Betts
www.tnb.com

DESCRIPTION: **HANDI-BOX AND COVERS**

SHEET NO:
2 OF 2

REV. NO:
A

DRAWING NO:
WSD-AC04223