

# Construction grade AC toggle switch

Project Name:	Prepared By:
Project Number:	Date:
Catalog Number:	Type:

## Description

Single-pole, double-pole  
 3-way, 4-way  
 15A, 120/277 V/AC  
 20A, 120/277 V/AC

## Design features

- Rugged thermoplastic top and bottom housing provides durability and strength
- Color-coded top housing helps identify amperage: Blue = 15A; Red = 20A
- Back and side wire terminals accept up to #10 solid or stranded wire
- Dual back-wire holes for maximum feed-through wiring flexibility
- One-piece brass contact arm assures proper contact for low-resistance switching
- Automatic grounding eliminates need for bonding jumper in metal enclosures
- Tri-combo terminal and mounting screws for flexibility in installation



1201

**Table 1. Construction Grade Switch Back and Side Wire**

Catalog No.	Description	Rating		Color Suffix
		A	V/AC	
□ 1201__	Single-pole toggle switch	15	120/277	B, GY, LA, W
□ 1203__	3-way toggle switch	15	120/277	B, GY, LA, W
□ 1221__	Single-pole toggle switch	20	120/277	B, GY, LA, V, W
□ 1222__	Double-pole toggle switch	20	120/277	B, GY, LA, V, W
□ 1223__	3-way toggle switch	20	120/277	B, GY, LA, V, W
□ 1224__	4-way toggle switch	20	120/277	B, GY, V, W

**Compliances, specifications and availability are subject to change without notice.**



*Powering Business Worldwide*

Project Name:	Prepared By:
Project Number:	Date:
Catalog Number:	Type:

## Applications

Arrow Hart construction grade switches are designed to provide dependable and long lasting performance in a wide range of applications and are horsepower rated to handle motor load.

**Table 2. Specifications**

Catalog No.	1200 & 1220 Series
<b>Device Type</b>	<b>Industrial 15A &amp; 20A 120/277V Toggle Switches 1200 &amp; 1220 Series</b>
<b>Wiring Type</b>	Back & side wire
<b>Testing &amp; Code Compliance</b>	<ul style="list-style-type: none"> <li>cULus listed to UL 20, file no. E18704</li> <li>UL verified to Federal Spec WS-896-E</li> <li>CSA certified to C22.2, no. 111, file no. 10016 (6241-05)</li> </ul>
<b>Environmental Specifications</b>	<b>Flammability:</b> Meets UL 94 requirements; V2 rated <b>Temperature Rating:</b> -20°C to 60°C (-4°F to 140°F)
<b>Electrical Specifications</b>	<b>Dielectric Voltage:</b> Withstands 1500V per UL 20 <b>Current Interrupting:</b> Yes, at full-rated current <b>Temperature Rise:</b> Max. 30°C (86°F) after 100 cycles of overload and 50,000 cycles of endurance testing
<b>Mechanical Specifications</b>	<b>Terminal Accommodation:</b> #14 - 10 AWG <b>Voltage Ratings:</b> Permanently marked on device <b>Horsepower Ratings:</b> Rated for motor loads per UL 20: 15A: @ 120V/AC = 1/2 HP, @ 240V/AC = 2 HP; max. amps 12A 20A: @ 120V/AC = 1 HP, @ 240V/AC = 2 HP; max. amps 16A

**Table 3. Materials**

Catalog No.	1200 & 1220 Series
<b>Toggle</b>	Nylon
<b>Top Housing</b>	Polycarbonate
<b>Bottom Housing</b>	Polycarbonate
<b>Strap</b>	0.045" thick galvanized steel
<b>Auto Ground</b>	Phosphor Bronze
<b>Terminals</b>	0.031" thick brass
<b>Terminal Screws</b>	#8-32 steel, brass plated, black
<b>Ground Screw</b>	#8-32 steel, zinc plated, green
<b>Backwire Clamp</b>	0.080" thick steel
<b>Contacts</b>	Silver alloy
<b>Moveable Contact Arm</b>	0.031" thick brass

**Table 4. Color Ordering Information**

For ordering devices, include Cat. No. followed by the color code: B (Brown), GY (Gray), LA (Light Almond), V (Ivory), W (White)

<b>B</b>	<b>GY</b>	<b>LA</b>	<b>V</b>	<b>W</b>
Brown	Gray	Lt. Almond	Ivory	White

Project Name:	Prepared By:
Project Number:	Date:
Catalog Number:	Type:

### Product Dimensions

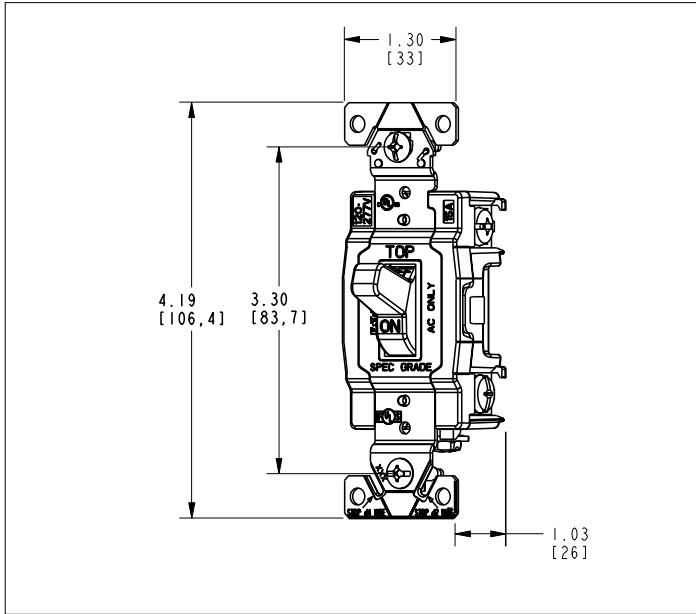


Figure 1. 1201, 1203, 1221, 1222, 1223, 1224 Line Art with Dimensions

### Certifications & Compliances

Catalog No.	cULus	FCS	NOM 426	ROHS
1201__	•	•	•	•
1203__	•	•	•	•
1221__	•	•	•	•
1222__	•	•	•	•
1223__	•	•	•	•
1224__	•	•	•	•

**KEY:** cULus cULus FCS Fed Spec NOM 426 NOM ROHS

Parts are manufactured and designed in accordance with article 4 of the European Union's RoHS2 directive 2011/65/EU

**Compliances, specifications and availability are subject to change without notice.**

Electrical Sector  
203 Cooper Circle  
Peachtree City, GA 30269  
United States  
Eaton.com  
Eaton.com/arrowhart

Electrical Sector  
Canada Operations  
5925 McLaughlin Road  
Mississauga, Ontario, L5R 1B8  
Canada  
EatonCanada.ca  
Eaton.com/arrowhart

Electrical Sector  
Mexico Operations  
Carr. Tlalnepantla -  
Cuautitlan Km 17.8 s/n  
Col. Villa Jardin esq.  
Cerrada 8 de Mayo  
Cuautitlan, Mexico CP 54800  
Mexico  
Eaton.mx  
Eaton.com/arrowhart