

Porcelain Wire Holder

With solid rivet through head. Porcelain and galvanized steel.



612



613



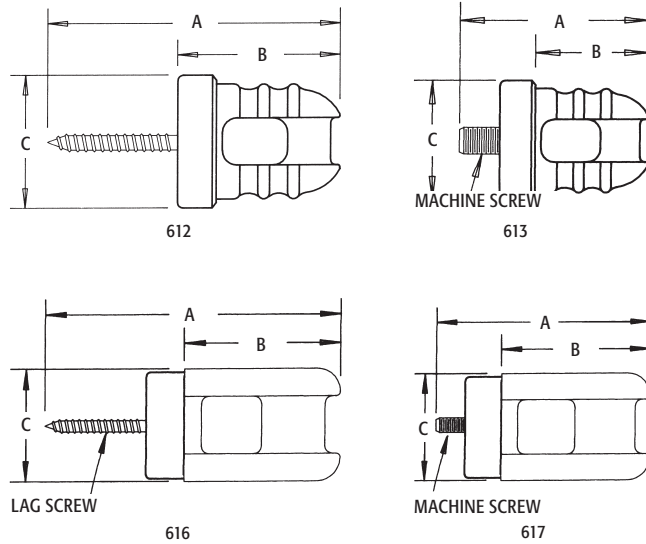
616



617

CATALOG NUMBER	UPC/DCI/NAED MFG #018997	SCREW SIZE	STD PKG	DIM A	DIM B	DIM C
612	00612	2-1/4 Lag	5	4.750	2.750	2.250
613	00613	3/8 x 1/2 Match Screw	5	3.350	2.750	2.250
616	00616	2-1/4 Lag	5	5.615	3.200	1.750
617	00617	3/8 x 1/2 Match Screw	5	3.775	3.200	1.750

UL/CSA not applicable.



Porcelain Wire Holder

With steel clip. Fits 1-1/4" to 3" pipe.



CATALOG NUMBER	UPC/DCI/NAED MFG #018997	WIRE SIZE	STD PKG	DIM A	DIM B	MIN	MAX
610	00610	1-1/4 to 3	5	1.875	7.625	1.620	3.930

UL/CSA not applicable.

