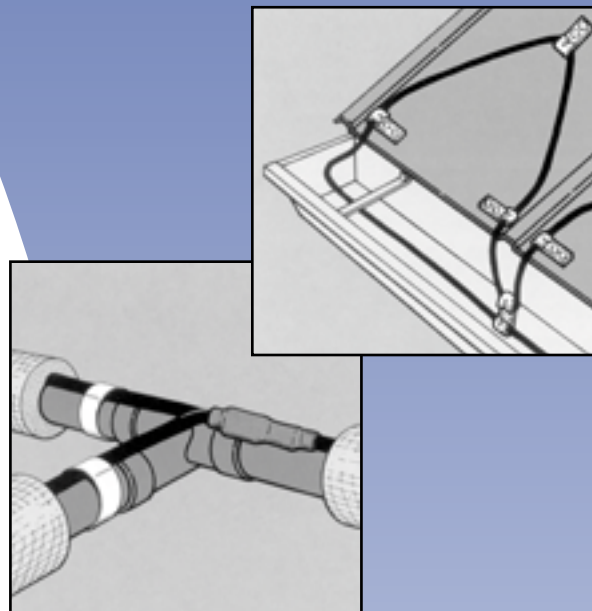


De-Icing & Pipe Tracing Cable

APPLICATION

SR Trace™ is a parallel-resistance, self-regulating, cut-to-length cable. SR Trace is rated at 5 watts per foot (8 watts per foot wet), and automatically varies its heat output with changes in surrounding temperature. A full complement of accessories allows roof, gutter, downspout de-icing and pipe tracing applications.

Catalog #	Order #	Description
SR51J	1396066	Pipe Tracing/Roof & Gutter De-icing Cable, 5W/ft, 120 Vac
SR52J	1396067	Pipe Tracing/Roof & Gutter De-icing Cable, 5W/ft, 240 Vac
DSH	100270	Downspout Hanger Kit (two hangers per kit)
ZHC	100272	Roof Clips & Spacers (50 roof clips or 25 spacers per kit)
SRP	100261	Heat Shrink Power Connection Kit (one per kit)
SRES	1293444	End Seal Kit (five per kit)
SRSRG	1293443	Roof & Gutter Splice Kit (one per kit)
SRST	100263	Splice & "T" Kit (two per kit)



EASYHEAT Snow Melting

APPLICATION

Electric heating cables are an effective and economic method of melting snow for a multitude of building types. Combined with the intelligence of the snow melting control these systems provide economical and reliable snow and ice removal.

Catalog #	Order #	Volts	Watts	Amps	Size
G10X36-2-50	100352	240	1500	6.3	10' Long x 36" Wide
G05X36-2-50	100375	240	750	3.1	5' Long x 36" Wide
G05X18-2-50	100379	240	375	1.6	5" Long x 18" Wide
ACCESSORIES					
Catalog #	Order #	Description			
SA-1 Snow Ice Control	1431548	120v, 16A Automatic Control			

